



LUCAS-CRANE Co. Ltd

Dear friends and colleagues!

The company "LUKAS-KRAN" has been providing services of truck cranes and other special equipment throughout Russia since 2006 and is successfully developing, despite the crises.

Since 2011, the company has been locating its office, a fleet of equipment and a service base on its own plot of land near the Ring Road and Moskovskoye Highway of St. Petersburg.

"LUKAS-CRANE" specializes in solving problems of any complexity, carried out using mobile jib cranes.



Our equipment, under the control of the company's drivers with the highest ranks, participated in the work:

- Installation and relocation of winch equipment at the "Nord Stream - 2" facility on the shore of the Gulf of Finland, Leningrad Region.
- Installation of cable-stayed system of the "Volgograd Arena" stadium.
- Construction of the Lakhta Center business complex.
- Construction of a cooling tower at the Leningrad nuclear power plant "LAES-2", Sosnovy Bor.
- Installation of rocket launchers at the cosmodrome in Plesetsk.
- Construction of "Port Ust-Luga".
- Construction of the Volkhovskaya compressor station for the Nord Stream gas pipeline of OAO Gazprom.
- Construction of a tunnel under the Gulf of Finland and KZS from Kronstadt to Bronka, Lomonosov district.
- Construction of the Western High-Speed Diameter from Stachek Avenue to Nab. the Yekateringofka river.
- Installation and dismantling of gas drilling rigs on the Yamal Peninsula for Gazprom Burenie.
- Construction of inclined passages at st. m. "Sennaya pl." and Art. m "Zvenigorodskaya".
- Installation of an energy complex at the Pulkovo-3 airport.
- Construction of a carriage plant in Tikhvin.
- Construction of the Nevskaya Ratusha business center.
- Dismantling of the reinforced concrete stele of the Novgorod Drama Theater and many other objects.

The company has tremendous experience:

- During the installation of BKTP and other transformer substations of open and closed type, gas station tanks;
- Installation and dismantling of tower cranes;
- Descent and ascent of boats and yachts;
- Installation and dismantling of boiler houses, concrete and asphalt plants;
- Installation and dismantling of smoke exhaust systems;
- Installation of entertainment attractions;
- Supply of materials, machinery and equipment to pits, roof and wall openings;
- Lifting cars, equipment and various goods after an accident;
- Installation and dismantling of overhead cranes, floors and wall panels;
- Works in shops, courtyards of the central part of St. Petersburg, on ceilings and ground areas.

The priority of the company is safety when performing work with the use of technology.

The company's truck cranes are registered with Rostekhnadzor and annually undergo technical inspection. Mobile crane rental managers are certified by Rostekhnadzor and, like machinists, have passed exams in industrial safety and safe operation of jib cranes.

Our company provides its engineers free of charge to your facilities within the boundaries of St. Petersburg and the surrounding suburbs. Engineers will help you choose the optimal crane for your task and give advice on site preparation, access roads and cargo slinging. If necessary, our designers will develop for you a project for the production of cranes - PPRK.

The LUKAS-CRANE equipment is equipped with Swedish chain and textile slings. For mobile cranes from 100 to 200 tons, pads for working on soft ground are provided free of charge. All truck cranes are equipped with safety devices that determine the weight of the load and other important parameters during crane operation.

Our company is focused on the wishes of customers and in recent years has also been performing complex services for the transportation of heavy and oversized cargo. LUKAS-CRANE has successfully assembled dozens of concrete and asphalt plants with its equipment, and also transported dozens of drilling rigs, tracked and wheeled vehicles!

For mobile cranes from 70 to 500 tons, steel linings are provided free of charge for work on unpaved and asphalt sites.

Currently, LUKAS-CRANE has a full line of mobile and crawler cranes from 25 to 500 tons of brands LIEBHERR, TEREX-DEMAG, GROVE, low-loader trawls up to 135 tons and scows up to 45 tons coupled with modern Volvo tractors, South Korean aerial platforms (AGP) up to 45 meters, manipulators (CMU) up to 8 tons, a Volvo backhoe loader, a Manitou telescopic loader, as well as pile-driving equipment - a hydraulic hammer and vibratory pile driver.

Our advantages:

- Own fleet of imported and domestic equipment registered with Rostekhnadzor.
- Experienced train drivers of the highest category.
- Free visit and consultations of engineers.
- Development of projects for the production of works by cranes (PPRK).
- Providing full-time engineers responsible for the safe production of work.
- Provision of certified slingers with permits for work at height.
- Certified imported chain and textile slings.
- Provision of traverses for bulky loads (avoid compression).
- Providing padding for soft ground.
- Providing flexible contractual relations (discounts, bonuses and deferrals) for customers and intermediaries!

Sincerely,
the General Director of the company
«LUKAS-KRAN»

Sergey Lukas





**ФЕДЕРАЛЬНАЯ СЛУЖБА
ПО ЭКОЛОГИЧЕСКОМУ, ТЕХНОЛОГИЧЕСКОМУ И АТОМНОМУ НАДЗОРУ**
Северо-Западное управление Федеральной службы по экологическому, технологическому и атомному надзору

**ГОСУДАРСТВЕННЫЙ РЕЕСТР
ОПАСНЫХ ПРОИЗВОДСТВЕННЫХ ОБЪЕКТОВ**

СВИДЕТЕЛЬСТВО О РЕГИСТРАЦИИ

A19-10322

Эксплуатирующая организация: ОБЩЕСТВО С ОГРАНИЧЕННОЙ ОТВЕТСТВЕННОСТЬЮ "ЛУКАС-КРАН",
198035, Санкт-Петербург, ВН.ТЕР.Г. МУНИЦИПАЛЬНЫЙ ОКРУГ МОРСКИЕ ВОРОТА,
УЛ ДВИНСКАЯ, Д. 3, ЛИТЕРА А, ПОМЕЩ. 1-Н №27, ОФИС 253,
ИНН 7811593844

Опасные производственные объекты, эксплуатируемые указанной организацией, зарегистрированы в государственном реестре опасных производственных объектов в соответствии с Федеральным законом от 21 июля 1997 г. № 116-ФЗ "О промышленной безопасности опасных производственных объектов":

Наименование объекта	Рег. номер	Дата рег.	Класс опасности
1) гараж	A19-10322-0001	14.09.2016	IV класс










































Дата выдачи: "01" июня 2021 г.

Заместитель руководителя управления



А.А. Капаев

А В 099956

	KS-55713 "KLINCY" on chassis of KAMAZ-53215 (25 t)	6
	KS-55727 "MASHEKA" on chassis of MAZ-6303 (25 t)	8
	ZOOMLION QY30V (32 t).....	10
	HARNISCHFEGER P&H S35 (35 t)	12
	LIEBHERR LTM 1050-4 (50 t)	14
	TEREX-DEMAG AC 70 City (70 t)	16
	LIEBHERR LTM 1070-4.1 (70 t)	18
	GROVE GMK 4080-1 (80 t)	20
	LIEBHERR LRT 1090-2.1 (90 t)	22
	LIEBHERR LTM 1090-4.2 (90 t)	24
	LIEBHERR LRT 1100-2.1 (100 t)	26
	LIEBHERR LTM 1100-4.1 (100 t)	28
	LIEBHERR LTM 1100-4.2 (100 t)	30
	LIEBHERR LTM 1130-5.1 (130 t).....	32
	LIEBHERR LTM 1160-5.1 (160 t).....	34
	LIEBHERR LTM 1160-5.2 (180 t).....	36
	LIEBHERR LTM 1200-5.1 (200 t).....	38
	DEMAG AC 300-6 (300 t).....	40
	LIEBHERR LTM 1400-7.1 (400 t).....	44
	LIEBHERR LTM 1500-8.1 (500 t).....	46
	LIEBHERR LTR 1100 (100 t).....	50
	LIEBHERR LR 1200.1 (220 t).....	52
	LIEBHERR LR 1250.1 (250 t).....	54
	LIEBHERR LR 1300.1 SX (300 t).....	56
	LIEBHERR LR 1350/1 (350 t).....	58
	Aerial platform (45 m) Hansin HS450A on ISUZU FORWARD (4x2).....	66
	Aerial platform (45 m) Hansin HS450A on KAMAZ chassis (6x6).....	67
	Aerial platform (50 m) Hansin HS500 on ISUZU FORWARD chassis (4x2).....	68
	Aerial platform (51 m) HORYONG E-SKY 510KR on ISUZU GIGA chassis (6x4).....	70
	The rotary telescopic loader MANITOU MRT-X 2550 Privilege Plus	72
	Crane-manipulator (CMU) HIAB 190TM-6 on KAMAZ - 65117 chassis (6X4)	74
	Scow-heavy truck Volvo FM 440 (6x4). Carrying capacity: 45 tons	76
	Trawl COMETTO ZS3AH/2550.....	77
	Trawl Volvo FM 480 Tornado	78
	Trawl MAX Trailer MAX410.....	79
	Excavator-loader VOLVO BL71B.....	80
	Hydraulic impact hammer YC-21 / 25.....	81
	Vibration machine SVR 50 VM	82
	Vibration machine Müller MS-240 HHF	84
	Safety rules and cargo slinging schemes	86
	Application rental services for aerial platform / crane with the driver.....	94



ЛУКАС-КРАН

lucas-crane.com

KS-55713 "KLINCY"
on chassis of KAMAZ-53215

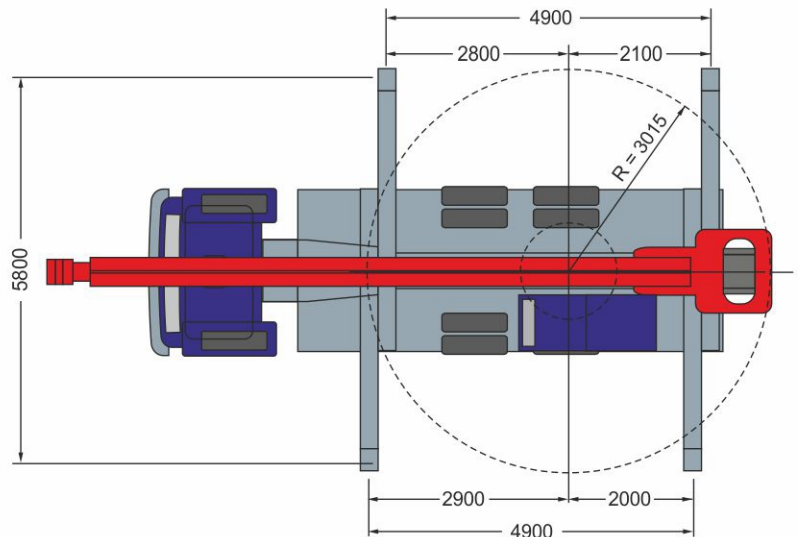
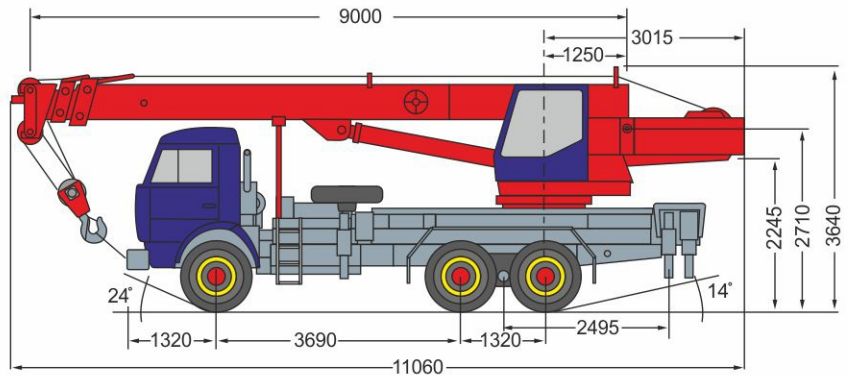


The mobile crane **KS-55713 "KLINCY"** with a lifting capacity of **25 tonnes** and a **21-meter** boom is popular on all the construction sites.


The chassis KAMAZ-53215 has a good passing ability. This crane is one of only a few Russian sets. The jib rotates **360 degrees**.

The **"Klintsy"** truck crane will solve all standard loading and unloading issues on the building site, such as unloading and transferring of any pallets with basic materials, fittings, change houses, containers, concrete goods, metal-rolling and many other tasks.

It is best to make an order of the truck crane few days in advance, as the **"Klintsy"** truck crane is the most in demand.





Lifting capacities						
	9,0	9,0	12,0	15,0	18,0	21,0
2,0	25,0	18,0				
2,5			15,0			
3,0				13,8		
3,2	25,0					
3,5	21,5				10,0	
4,0	18,0	18,0		13,8		
4,2			15,0			
4,5			14,2	12,8	10,0	6,4
5,0	13,1	13,1	12,3	11,6	9,75	
5,5						6,4
6,0	9,6	9,6	9,25	8,8	8,0	6,1
7,0	7,4	7,4	7,2	6,9	6,5	5,5
7,5	6,6	6,6				
8,0			5,8	5,6	5,35	4,8
9,0			4,85		4,45	4,1
10,0			4,05	3,9	3,7	3,5
10,5			3,75			
12,0				2,85	2,7	2,55
13,0				2,45		
13,5				2,25		
14,0					2,0	1,9
15,0						
16,0					1,55	1,45
16,5					1,45	
18,0						1,1
19,5						0,9

KS-55727 "MASHEKA"
on chassis of MAZ-6303



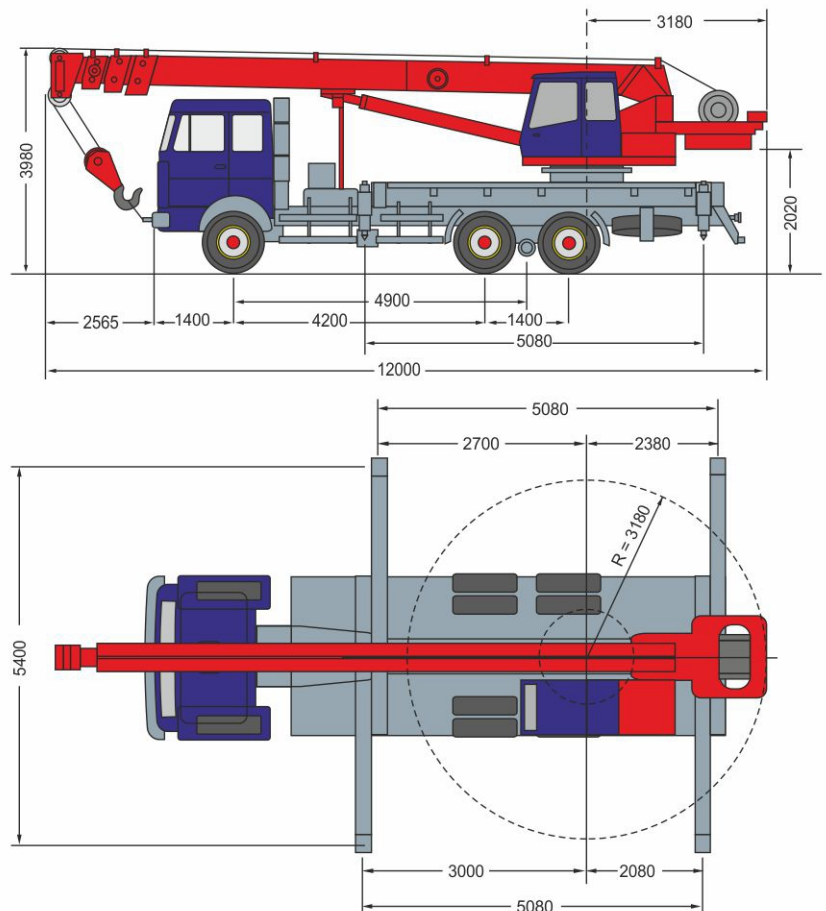
The mobile crane **KS-55727 "Masheka"** on chassis of **MAZ-6303**.

Rental services for the **"Masheka"** truck crane with a lifting capacity of **25 tons** and an arrow of **28 meters** are most in demand for loading and unloading and installation work at a height of up to **22 meters**.


The chassis of the Masheka truck crane based on **MAZ-6303** has high reliability and maneuverability. The **MAZ YaMZ-236B** engine is famous for being easy to start even in severe frosts. The two driving axles of the truck crane have all the necessary differential locks - axial and inter-axle.

The Masheka truck crane has a telescopic boom that changes in length from **10 to 28 meters!** Each section is secured in end position with a locking pin, which gives additional rigidity to the telescope.

The outriggers of the crane are controlled hydraulically from one valve, which reduces the time of folding from the transport position to the working position and vice versa.





Lifting capacities						
	10,08	14,08	16,08	22,08	24,08	28,08
3,2	25,0					
4,0	16,3	11,8				
4,2	15,5	11,8	10,3			
4,7	13,8	11,2	10,3			
5,0	12,8	10,8	9,3			
6,0	9,5	8,0	7,3			
7,0	7,3	6,3	5,7	5,3		
7,3	6,8	5,9	5,3	4,9		
8,0	5,8	5,1	4,6	4,2	3,8	
9,0		4,1	3,7	3,3	3,1	
10,0		3,4	3,0	2,75	2,5	2,3
11,0		2,9	2,5	2,73	2,1	1,9
12,0		2,6	2,1	2,0	1,85	1,7
14,0			1,6	1,5	1,3	1,2
16,0				1,15	1,05	0,9
18,0				1,0	0,95	0,8
20,0					0,8	0,7

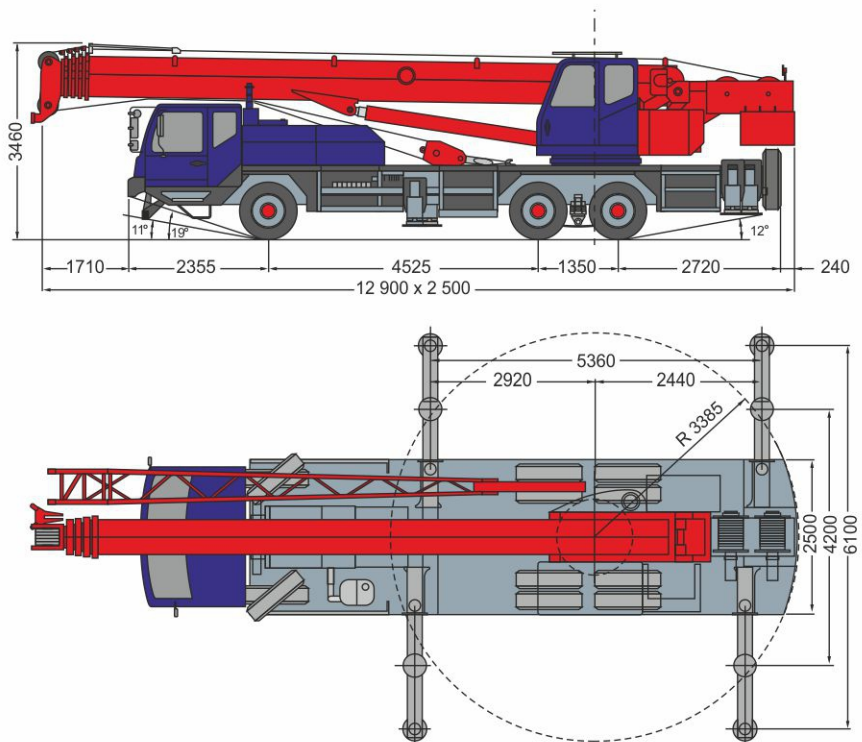


The **Zoomlion QY30V** mobile crane with a lifting capacity of **32 tons**, has the longest telescopic boom among analogs - **40 meters** and a lattice extension of **8 meters**, which together is **48 meters**!


The **Zoomlion** mobile crane has a three-axle chassis with two drive axles. Differential locks and low gears give it a very high cross-country ability.

Small overall height (**3.46 m**) allows the **Zommlion QY30V5** truck crane to drive under many low arches in the courtyards of St. Petersburg, workshops of factories and enterprises! The supporting contour of the truck crane measuring **5.36 x 6.10 m** will allow you to sit both on a small site and on a road with two lanes! Services of the **32t Zoomlion QY30V5** mobile crane are indispensable for any work from the road in the absence of sites at all!

A **40 meter** telescopic boom and an **8 meter** long extension arm that can be tilted at **30 degrees** will allow you to lift loads up to **42 meters**! The **Zoomlion QY30V** crane offers versatility and top performance with an optional lightweight winch that lifts loads up to **3 tons** at high speed!





Lifting capacities								
	10,6	14,3	18,0	23,5	29,0	34,5	40,0	40,0+8,0
3,0	32,0	27,0	22,0					
3,5	30,0	27,0	22,0					
4,0	28,0	26,0	20,0	16,5				
4,5	25,0	24,3	18,6	15,6				
5,0	23,0	22,4	17,3	14,7				
5,5	21,0	20,8	16,0	13,9	11,7			
6,0	18,5	18,8	14,8	12,8	11,0			
6,5	16,5	17,0	13,9	12,2	10,5			
7,0	14,6	14,7	13,0	11,4	9,9	8,4		3,0
7,5	13,0	13,2	11,9	10,4	9,2	7,9		3,0
8,0	11,6	11,8	11,3	9,9	9,0	7,8		3,0
9,0		9,5	9,4	8,9	8,2	7,2	6,3	3,0
10,0		7,8	7,7	8,1	7,4	6,6	5,75	3,0
11,0		6,5	6,4	7,1	6,75	6,1	5,35	2,9
12,0			5,4	6,0	6,2	5,7	4,95	2,9
13,0			4,5	5,2	5,45	5,2	4,75	2,8
14,0			3,75	4,45	4,8	4,8	4,35	2,7
15,0				3,8	4,2	4,45	4,25	2,65
16,0				3,2	3,6	3,85	3,85	2,45
18,0				2,4	2,8	3,0	3,2	2,25
20,0					2,1	2,4	2,6	1,9
22,0					1,6	1,85	2,05	
24,0					1,15	1,4	1,6	
26,0						1,05	1,25	
28,0						0,75	0,95	0,73
30,0							0,70	
32,5								0,32



All Terrain Crane 4x4

35t

28m

+

7m



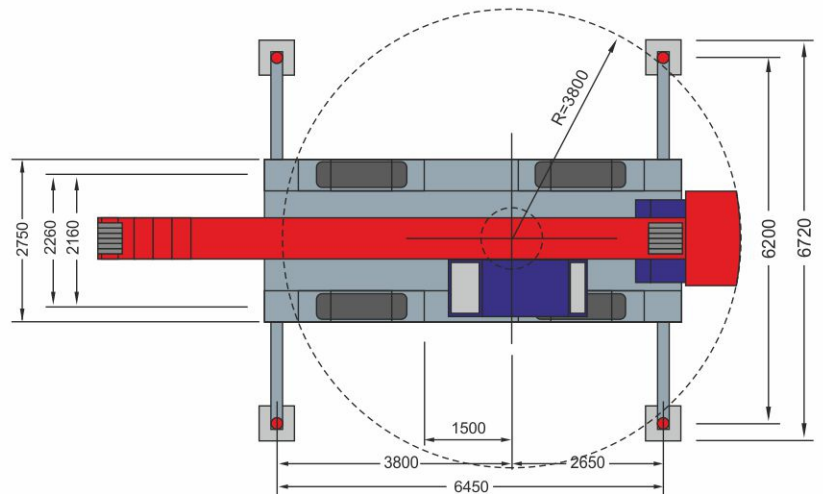
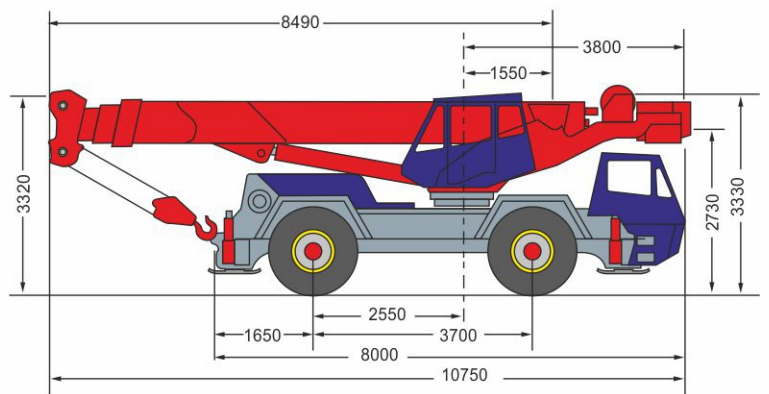
The **HARNISCHFEGER P&H S35** mobile crane has a loading capacity of **35 tons** and the boom of **35 meters** possesses the highest passing ability.

The full drive and wide radius tires allow the crane to move on boggy soil, sand and on friable snow.


The jib rotates **360 degrees**, and therefore the mobile crane can be easily placed on small sites. The driver can easily and quickly operate the crane equally from lower and upper cabin.

The truck crane is able to move diagonally (the crab steering), to turn on the spot and to move with the boom positioned either forward or back. All these qualities make it the most universal truck crane with the widest range of applications.

The **HARNISCHFEGER P&H S35** mobile crane will speed up the construction works from the very beginning. The services of the truck crane are highly demanded, so it is necessary to reserve the crane in advance.





Lifting capacities										
 m	8,5	9,5	12,5	15,5	18,5	20,5	21,5	24,5	28	28+7
3,0	27,5	23,5	22,7							
4,0	22,7	21,7	21,0	20,1	18,7					
5,0	19,2	18,6	17,8	16,3	16,0	12,0				
6,0	16,1	16,0	15,8	14,5	13,9	11,6	10,4	9,1	8,1	
7,0		13,2	13,0	12,7	12,2	11,3	9,8	8,7	7,9	
8,0			10,9	10,9	10,0	10,0	9,3	8,3	7,8	3
9,0			9,1	9,1	8,7	8,6	6,0	7,6	7,0	2,8
10,0				7,3	7,3	7,0	7,2	6,9	6,2	2,7
12,0					5,4	5,2	5,3	5,3	4,9	2,5
14,0						4,0	4,5	4,5	4,1	2,3
16,0							3,6	3,4	3,4	2
18,0							2,9	2,9	2,8	1,9
20,0								2,3	2,3	1,7
22,0									1,8	1,6
24,0										1,5

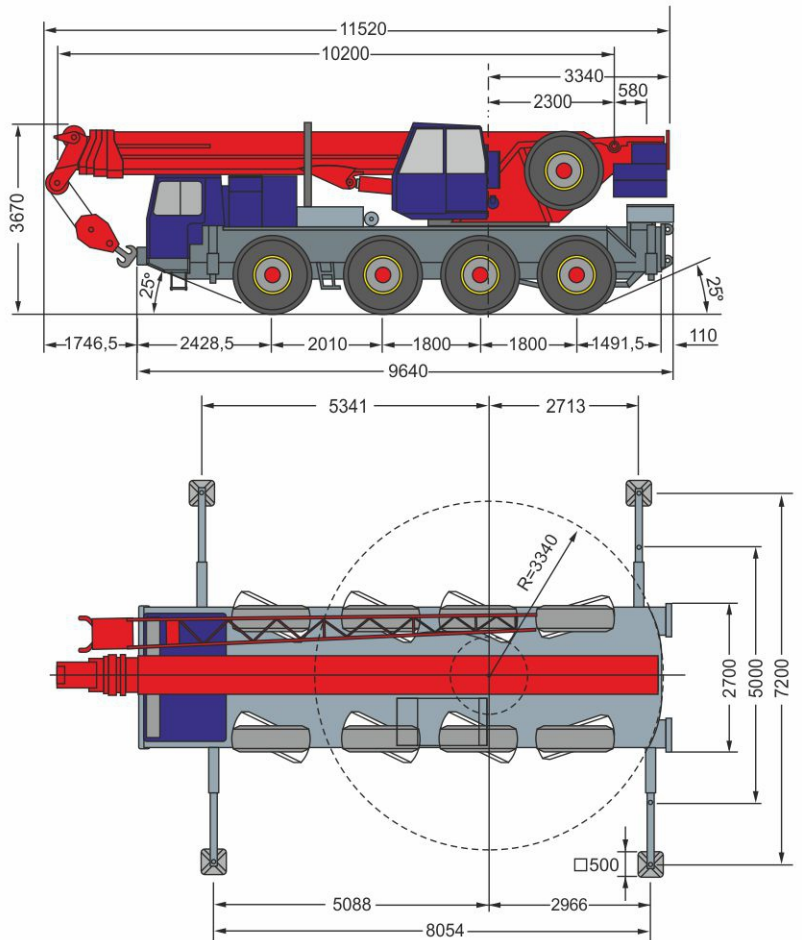


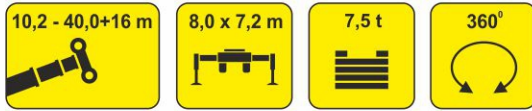
The **LIEBHERR LTM 1050 - 4** mobile crane has a loading capacity of **50 tons**, the main boom of **40 meters** and the lattice jib of **16 meters**.


The **LIEBHERR LTM 1050-4** mobile crane is all-terrain vehicle with **8x6** wheel arrangement. The truck crane is created specially for off-road use and severe conditions of the North. The crane is indispensable on soil platforms in cross-country conditions and slush. **4 steering-axes** of the crane allow it to get to hard-to-reach spots easily. The work area of the truck crane covers complete **360 degrees**; and that makes the truck crane indispensable in the constrained conditions.

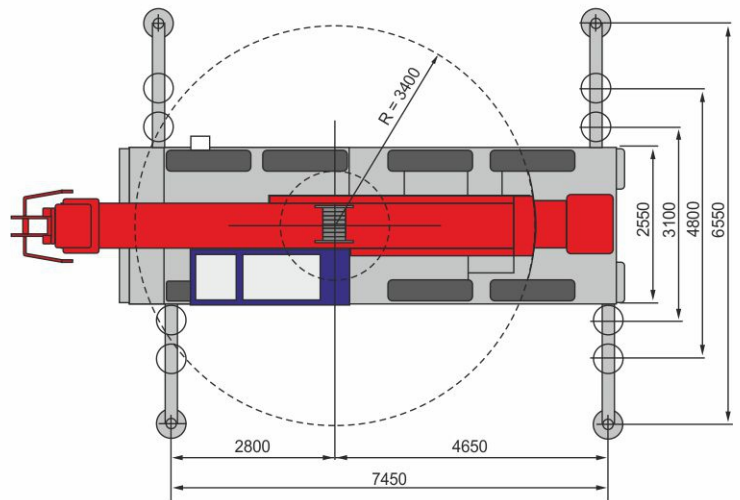
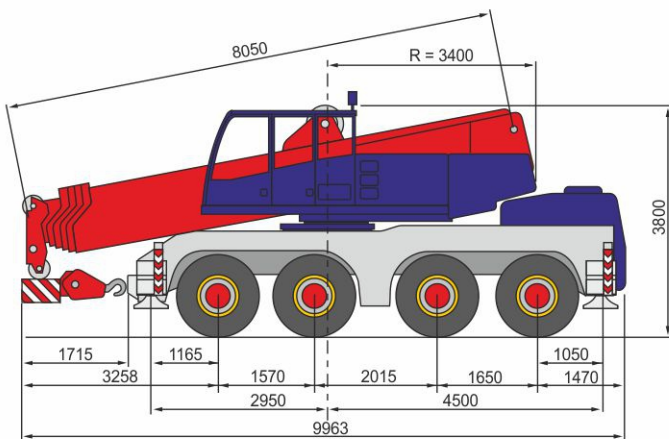
Our **LIEBHERR LTM 1050-4** mobile crane worked at the Yamal Peninsula for the "GAZPROM Burenie" company for a long time. Like the other mobile cranes of the German **LIEBHERR** concern, this truck crane combines exclusive reliability and high speed of operations while moving loads. The leasing of the **LIEBHERR LTM 1050-4** mobile crane will considerably accelerate performance of loading, unloading and mounting works on your site.

The **LIEBHERR LTM 1050-4** mobile crane is ideally suited for mounting and dismantling of metalwork, equipment, floor slabs, crossbars, beams, modular unitized transformer substations, support of power transmission lines, boiler rooms, and also for lowering of boats and yachts, loading and unloading of heavyweight and bulky goods, carrying out any work in halls, buildings and platforms with limited space, and a set of other works. And it will be simply indispensable in cross-country conditions!





Lifting capacities								
 m	10,2	17,1	17,1	24,1	31,1	35,2	40,0	40,0+16
3,9	50,0							
3,5	43,5							
4,0	40,5							
4,5	36,5							
5,0	32,5	26,6		17,7				
6,0	27,3	23,7	19,0	17,3	10,2	8,2		
7,0	23,7	21,3	19,0	16,6	10,1	8,1	7,1	
8,0		19,1	19,0	15,6	10,0	8,0	7,0	
9,0		16,4	17,5	14,6	9,7	7,9	6,9	
10,0		14,0	15,5	13,6	9,4	7,8	6,8	
12,0		10,1	11,6	11,4	8,4	7,5	6,5	1,6
14,0		7,7	9,1	8,9	7,7	6,9	5,9	1,6
16,0				7,1	6,8	6,3	5,4	1,6
18,0				5,8	5,7	5,5	5,0	1,5
20,0				4,9	4,8	4,6	4,4	1,5
22,0					4,1	3,9	3,7	1,4
24,0					3,4	3,3	3,2	1,4
26,0					2,9	2,8	2,7	1,3
28,0					2,5	2,4	2,3	1,3
30,0						2,1	2,0	1,3
32,0						1,7	1,7	1,3
34,0							1,4	1,2
36,0								1,2
38,0								1,1
40,0								1,0

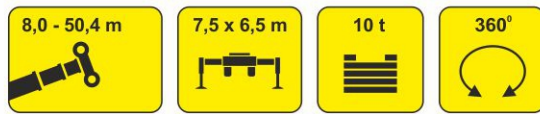



The **TEREX-DEMAG AC 70 City** crane is the most compact mobile crane in the world with a loading capacity of **70 tons!**

In travel position, it is just **9 x 2.5 meters**, while the truck crane has an **8-section boom of 50.4 meters!** The perfect balance of axle load with the regular counterload of 11 tons allows it to move with a speed of **80 km/h!** The truck crane has four driving axles. They are managed both in automatic and in manual mode! The crane is able to move on diagonals and to turn on the spot!

Services of a compact mobile crane with a lifting capacity of **70 tons** are indispensable in tight spaces and narrow roads. Taking into account its compactness, maneuverability and telescopic boom with a length of **50.4 meters**, **TEREX-DEMAG** surpasses all existing world analogues! The mobile crane **TEREX-DEMAG AC 70 City** incorporates the most modern technologies: control of pressure in supports, roll, wind speed, damping of load fluctuations. Each crane operation has a digital speed control and an additional accelerator. All operations of this truck crane are compatible.

Renting a **TEREX-DEMAG AC 70 City** truck crane with a lifting capacity of **70 tons** proved to be indispensable for the construction of a plant in Tikhvin, installation work in the central districts of St. Petersburg, attractions on Krestovsky Island, on the ceilings of the Nevskaya Ratusha business center, workshops, limited sites and many other objects!



Lifting capacities												
	8,0	13,6	18,9	23,8	24,1	29,3	34,8	39,4	40,1	44,9	45,2	50,4
3,0	70,0	50,6	47,1									
3,5	50,5	47,1	43,9									
4,0	45,8	44,1	40,7	26,1	31,7							
4,5	42,0	41,2	38,2	24,7	29,9							
5,0		37,6	35,6	23,3	28,2	25,7						
6,0		31,5	30,8	20,9	25,3	23,5						
7,0		26,0	25,4	19,0	23,0	21,6	17,7					
8,0		22,1	21,5	17,5	21,1	19,9	16,4					
9,0		18,0	19,0	16,2	18,1	17,3	15,2	11,6	12,3			
10,0		14,9	15,9	15,1	15,2	15,0	13,7	10,9	11,5			
12,0			12,3	12,2	11,0	11,3	10,6	9,6	10,1	6,9	8,7	
14,0			9,6	9,4	8,3	8,6	8,9	8,5	8,1	6,3	7,7	6,1
16,0				7,5	6,4	6,7	7,6	7,3	6,5	5,7	6,8	5,8
18,0				6,1	5,0	5,3	6,2	5,9	5,1	5,3	5,6	5,5
20,0				5,1	3,9	4,1	5,4	4,8	4,0	4,9	4,5	4,7
22,0						3,3	4,6	4,2	3,1	4,4	3,6	3,9
24,0						2,6	3,9	3,9	2,4	3,6	2,9	3,1
26,0						2,0	3,3	3,5	1,8	3,0	2,3	2,5
28,0							3,1	2,9	1,3	2,5	1,8	2,0
30,0							2,8	2,5	0,9	2,1	1,4	1,6
32,0								2,1		1,7	1,0	1,2
34,0								1,8		1,4		0,9
36,0								1,5		1,1		0,6
38,0										0,8		
40,0										0,6		

LIEBHERR LTM 1070-4.1



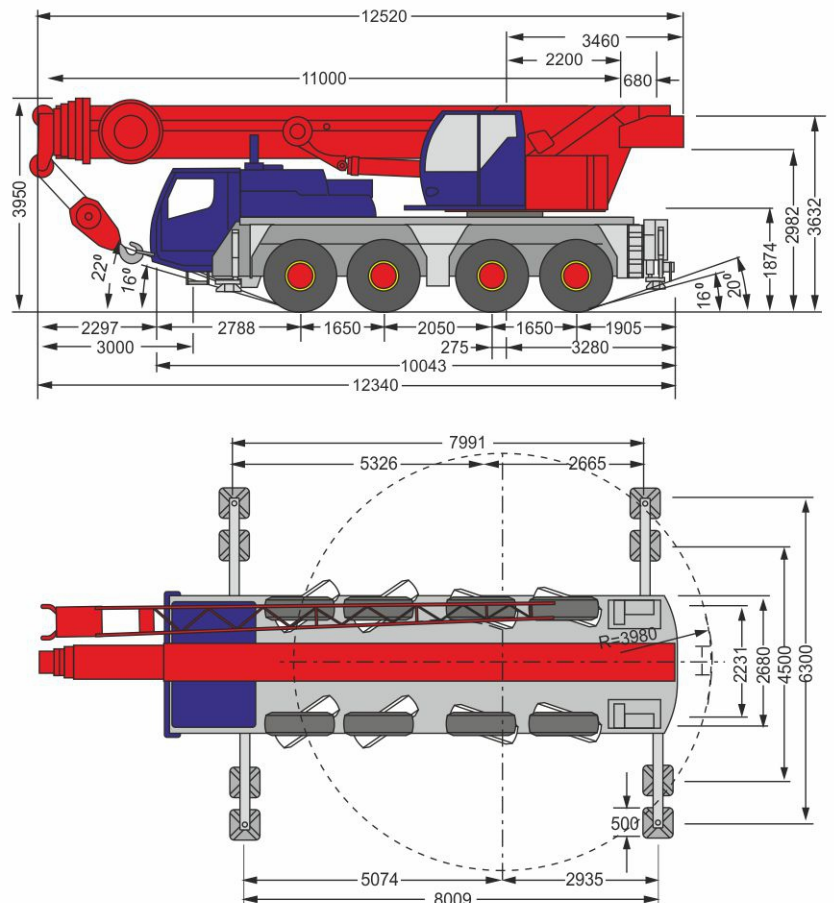
The **LIEBHERR LTM 1070-4.1** mobile crane with a lifting capacity of **70 tons** has a main boom of **50 meters** and a lattice jib of **16 meters**. Maximum boom reach **48 meters**.

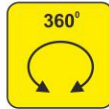
The **LIEBHERR LTM 1070-4.1** is very compact - in working position, the total width of the outriggers reaches only **6.3 meters**, which plays an important role in installation and handling from the road.


All axles of the truck crane are steerable and allow you to move diagonally (crab move) and turn around an angle of **90 degrees!** The accelerated telescoping system from **LIEBHERR** allows you to quickly change the length of the boom, which significantly increases the productivity of the crane!

The truck crane transports all its counter-loads on itself, which also speeds up travel around the construction site and between objects!

LIEBHERR LTM 1070-4.1 is equipped with the most modern technology. The truck crane has active rear axle steering and pneumatic disc brakes. The speed of movement of the truck crane is **80 kmph**.





Lifting capacities														
 i, m	11	14,6	18,2	21,8	25,4	28,9	32,5	36,1	39,7	43,3	46,9	50	50+16	
2,5	70													
3	61,4	51,1	50,9	48,8										
3,5	54,3	46,4	46,3	46,5	38,9	31,9								
4	48,7	42,4	42,4	42,5	38,1	31,4	25,6							
4,5	44	38,9	38,9	39,1	37,4	31	25,3	20,6						
5	39,3	35,7	35,8	35,9	35,6	30,4	25,1	20,5	16,3					
6	32,2	30,5	30,9	31	31	28,9	24,5	20,1	16,1					
7	27,1	26,3	26,7	26,9	26,9	27,2	24	19,6	16	13	10,2			
8	23	22,6	23,1	23,3	23,6	23,6	22,7	18,3	15,8	12,8	10,1	8		
9			20,4	20,4	20,8	20,7	19,6	17	15,1	12,6	9,9	7,9	6,7	2,5
10			17,8	18,1	18,2	18,1	17	15,7	14,2	12,2	9,7	7,8	6,6	2,5
12			13,4	13,9	13,9	13,8	13,4	13,1	12,4	11,1	9,1	7,5	6,5	2,4
14				10,8	11	11	10,9	10,7	10,4	9,7	8,4	7,1	6,2	2,3
16					8,9	8,9	8,9	8,8	8,6	8	7,7	6,6	5,9	2,3
18					7,4	7,5	7,4	7,4	7,2	7,2	6,6	6,1	5,5	2,2
20						6,4	6,2	6,3	6,2	6	5,7	5,5	5,1	2,1
22						5,4	5,4	5,4	5,3	5	5,1	4,8	4,6	2,1
24							4,8	4,7	4,6	4,5	4,3	4	3,9	2,1
26							4,2	4,1	4	3,9	3,7	3,4	3,4	2
28								3,6	3,5	3,4	3,2	2,9	2,9	2
30								3,1	3	2,9	2,7	2,5	2,5	1,9
32									2,6	2,5	2,3	2,1	2,1	1,7
34										2,1	2	1,7	1,7	1,4
36										1,8	1,7	1,4	1,4	1,2
38											1,4	1,1	1,2	0,9
40											1,2	0,9	0,9	0,7



The **GROVE GMK 4080** mobile crane with a lifting capacity of **80 tons** and a boom of **66 meters**, is one of the most popular cranes of the **LUKAS-CRANE** company.

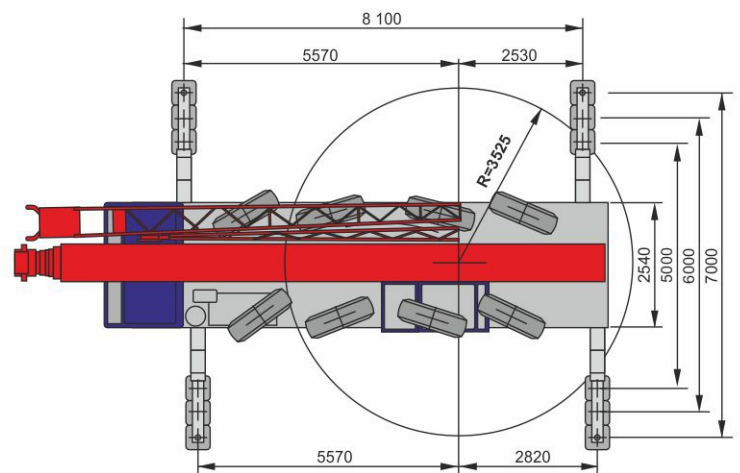
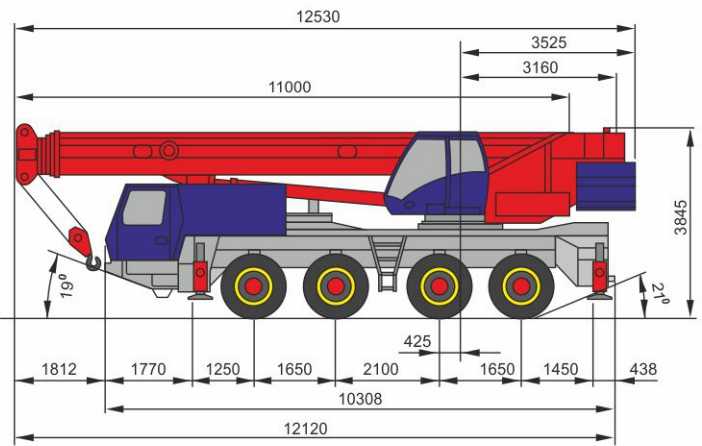
The mobile crane of our company **GROVE GMK 4080** is an allterrain vehicle with a wheel arrangement of **8x8** - all **4** axles of the crane are leading, the automatic transmission has a transfer case with a low gear. Axle and center differential locks provide additional flotation. The **GROVE GMK 4080** has absolutely all **4** steered axles, which makes it very maneuverable and allows you to enter ordinary gates from narrow roads, turn around in a small radius and move along diagonals (crab movement).

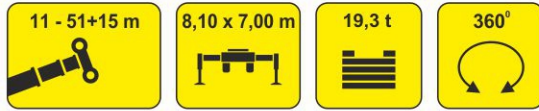
The **GROVE GMK 4080** mobile crane has a support contour of **8.1 x 7 meters**. The working area is **360 degrees**! The telescopic boom has a range of **11 to 51 meters**. The **15 meter** swing away lattice jib extends its length to **66 meters**!

The choice of speeds for each operation and their full combination, gives the **GROVE 80 tons** mobile crane high productivity in any type of work. Combined with high maneuverability and maneuverability (four-wheel drive), the services of this truck crane are ideal for most construction sites.

The services of a **GROVE** mobile crane of **80 tons** are often used for the installation of heavy equipment, transformer substations of **БКТП**, concrete and asphalt plants, machine tools, presses, equipment in production facilities, loading and unloading heavy, oversized cargo on wagons and trawls, launching boats, yachts and many other works that you can see in our gallery.

You can rent a **GROVE GMK 4080** mobile crane, with a lifting capacity of **80 tons**, by calling our consultant managers. The **LUKAS-CRANE** company also provides engineers for detailed consultations to your facilities in St. Petersburg free of charge!





Lifting capacities												
	11	15,15	19,25	23,30	27,21	31	35,15	39,25	43,3	47,21	51,00	51 +15
2,5	80/75											
3	68,0	57,0	53,0	46,5	34,5							
4	53,5	50,5	46,5	44,0	34,5	26,0						
5	46,0	44,5	41,5	39,0	34,5	26,0	19,2					
6	40,0	39,5	38,0	35,0	33,5	26,0	19,2	14,2				
7	34,5	34,5	34,0	32,0	31,0	25,5	19,2	14,2	11,0	8,3	6,6	
8	28,0	30,0	30,0	28,5	28,0	24,5	19,2	14,2	11,0	8,3	6,6	
9		25,5	25,5	25,0	24,0	23,0	18,2	14,2	11,0	8,3	6,6	
10		22,0	22,0	22,5	21,0	21,0	17,1	14,2	11,0	8,3	6,6	
11		18,9	19,3	19,1	18,8	18,4	16,0	14,0	11,0	8,3	6,6	2,2
12		16,4	16,8	16,6	17,2	16,4	15,0	13,3	11,0	8,3	6,6	2,2
13			14,7	14,8	15,2	14,7	13,9	12,5	11,0	8,3	6,6	2,2
14			13,1	13,7	13,5	13,1	12,5	11,8	10,8	8,3	6,6	2,2
15			11,9	12,3	12,1	11,7	11,3	11,0	10,3	8,3	6,6	2,2
16			11,0	11,1	10,9	10,5	10,5	10,1	9,7	8,3	6,6	2,2
18				9,2	9,0	8,8	9,1	8,3	8,3	8,0	6,6	2,2
20				7,7	7,6	8,0	7,6	7,1	6,9	7,2	6,6	2,2
22					6,4	6,8	6,4	6,6	6,1	6,0	6,3	2,2
24					5,5	5,9	5,5	5,7	5,6	5,5	5,3	2,2
26						5,1	4,7	4,9	4,9	4,8	4,5	2,2
28						4,4	4,0	4,3	4,3	4,2	3,9	2,2
30							3,5	3,9	3,7	3,6	3,3	2,2
32								3,5	3,3	3,1	2,8	2,1
34								3,1	2,9	2,7	2,4	2,0
36								2,7	2,5	2,3	2,0	1,9
38									2,2	2,0	1,7	1,9
40									1,8	1,7	1,4	1,7
42										0,9	1,2	1,4
44											0,9	1,2
46												1,0
48												0,8
50												0,6

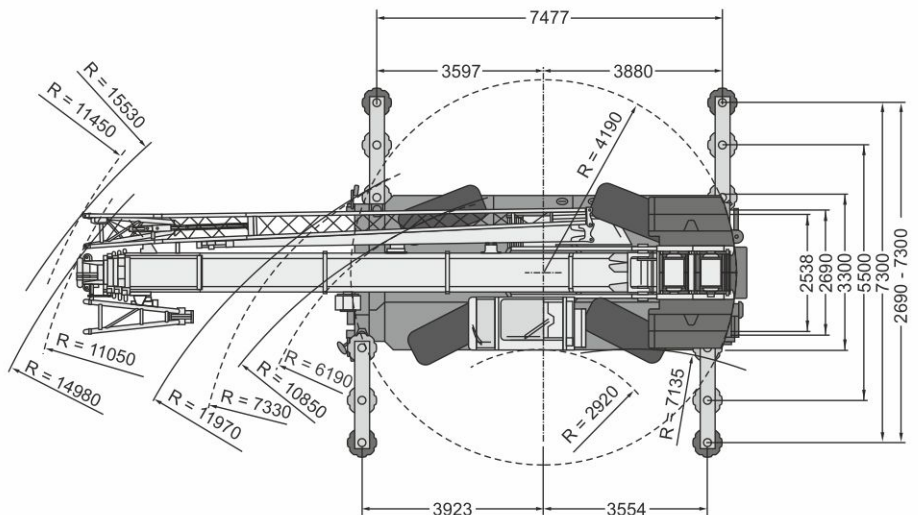
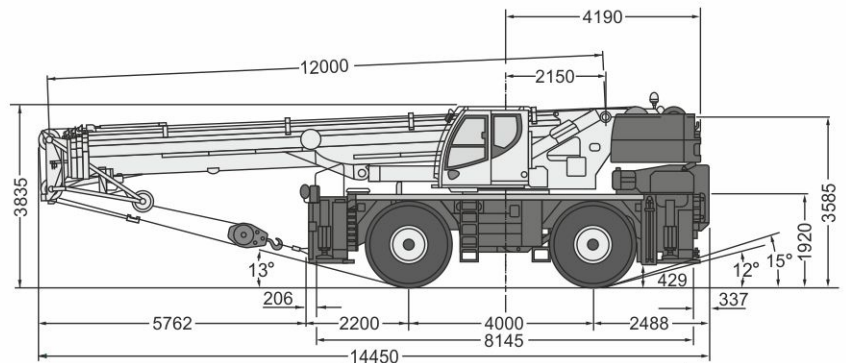


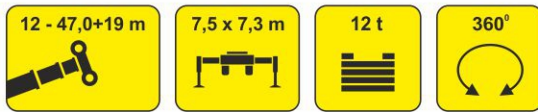
The latest model of short-base-terrain vehicle **90 tons LIEBHERR 1090-2.1** has a very fast and reliable cable-extension system of the telescopic boom on a double-acting hydraulic cylinders that can quickly add up and the arrow to move to another parking lot!


Together with its compactness and maneuverability, thanks to all controlled axes (crab steering and turning along a small radius), the crane is indispensable in industrial construction on tight sites!

The **VarioBase** system with outrigger monitoring allows the legs to be partially extended, keeping the load capacity in the desired sector.

The driver's cab changes the angle of inclination, which is especially important for high-altitude installation work with a lattice extension **10.5 / 19 m**, which also changes the angle of inclination **0 / 20 / 40 degrees!**





Lifting capacities										
 m	12	16,4	20,8	29,5	38,3	42,6	47	47+2	47+10,5	47+19
2,7	90									
3	80	48	43,5							
3,5	71,2	48	43,5							
4	64,4	48	43,5	19,2						
4,5	60,3	48	43,5	19,2						
5	56,7	48	43,5	19,2						
6	48,6	46,6	41,8	19,2						
7	40,3	39,1	35,2	19,2	16,8	12,5				
8	34	31,3	28,2	19,2	16,8	12,3				
9	27,6	25,7	23,2	19,2	16,6	12,1	11,3			
10		21,2	19,5	18,8	15,7	11,8	11	9,9	5,9	3
12		14,8	17,1	15,8	13,7	10,8	10,1	9,1	5,7	3
14		10,9	12,9	13	11,2	9,7	9,2	8,4	5,4	3,1
16			10,1	10,2	9	8,9	8,3	7,7	5,1	3,1
18			8,1	8,2	7,9	7,7	7,2	7	4,9	3,1
20				6,7	6,8	6,2	5,7	6	4,6	3
22				5,5	5,6	5	4,6	4,8	4,3	2,9
24				4,5	4,7	4,2	3,8	4	3,9	2,8
26				3,9	4	3,5	3,2	3,3	3,3	2,8
28					3,4	3	2,6	2,8	2,8	2,7
30					3	2,6	2,2	2,3	2,3	2,5
32					2,6	2,2	1,8	1,9	1,9	2,1
34					2,3	1,9	1,5	1,6	1,6	1,8
36					2	1,6	1,2	1,2	1,3	1,5
38						1,3	0,9	0,9	1	1,2
40						1				0,9

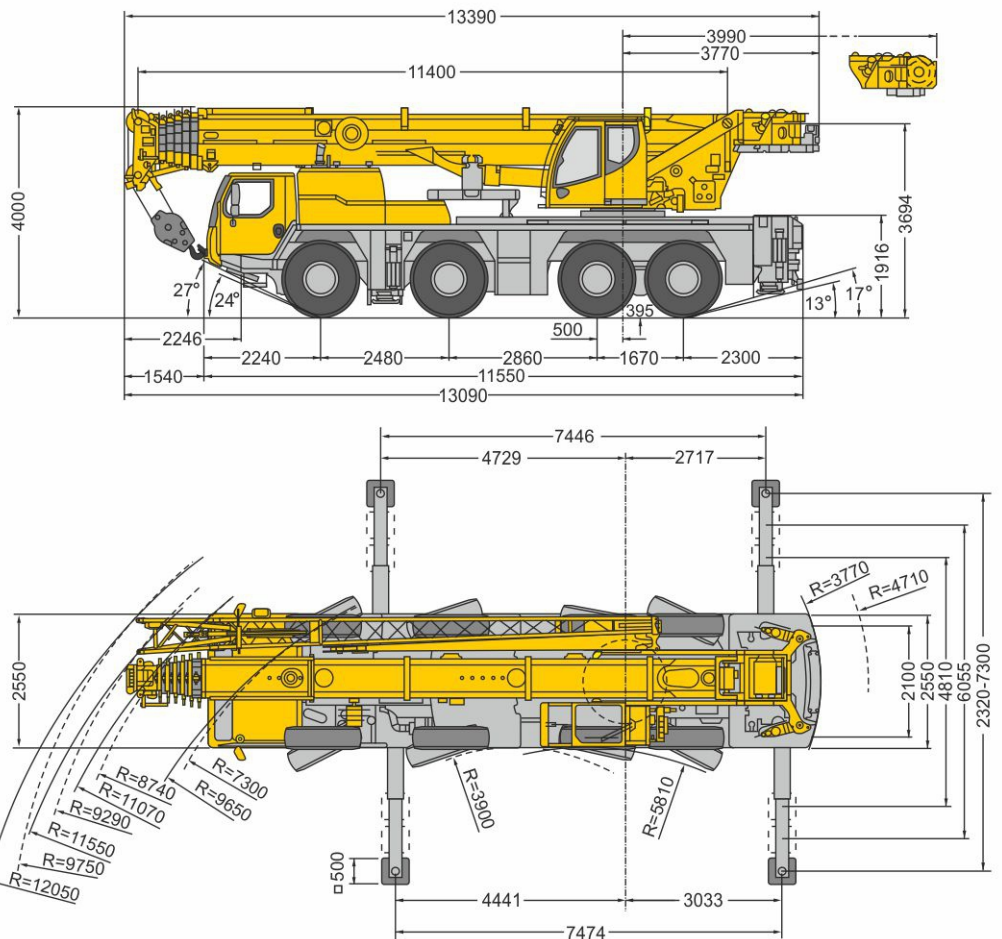


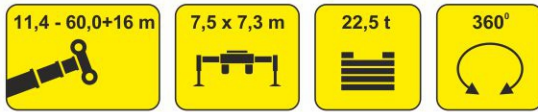
The newest model of the **90 t** mobile crane **LIEBHERR LTM 1090-4.2** has a huge advantage over analogues - movement with a full set of counterweights on yourself !!!


Thanks to its lightweight design and offset of the axles - the mobile crane is ideally balanced for movement at speeds up to **80 km/h** with all **22 tons** of counterweights !!!

At the same time, the mobile crane is equipped with the **VarioBalast** system, which allows you to change the radius of counterweights and the **VarioBase** system, which is able to maintain the lifting capacity in the desired sector with partially extended supports, which is extremely necessary in tight spaces!

The telescopic boom, **60 m** long, has a **9.5 / 16 m** hinged lattice jib, capable of tilting at an angle of **20** and **40 degrees**. All this makes the **90 t LIEBHERR LTM 1090-4.2** mobile crane a versatile crane with high performance, even with frequent relocations and trips to tight spaces!





Lifting capacities																				
 m	11,4	15,1	18,9	22,6	26,3	30	33,8	37,5	41,2	44,9	48,7	52,4	55,6	56,1	59,4	60	60 + 9,5	60 + 16		
3	90	59,2	59,2	59,2	48															
3,5	59,2	59,2	58,2	56,3	48	36,6														
4	55,6	54,9	53,2	51	47,5	36,6														
4,5	50,9	50,5	49	46,8	45,3	36,6	30,4													
5	47,6	46,7	45,4	43,1	41,7	36,3	30	24,5												
6	42	40,3	40,2	38,3	36,7	35,1	28,8	23,8	19,3											
7	36,6	35,3	35,8	34,4	33,6	32,3	27,6	22,9	19,1	15,2										
8	31,6	30,9	31,4	31,1	30,5	29,2	26,4	22,1	18,9	15,1	11,7									
9	27,1	27	27,6	27,9	27,7	26,7	25	21,3	18,6	15	11,5	9,2								
10			24,4	24,7	24,7	24,4	23,5	20,5	18,1	14,4	11,2	9	7,3	4,9	5,3					
11			21,6	22	22	21,9	22,1	19,7	17,1	13,8	10,8	8,8	7,1	4,9	5,3	4,2	4,1			
12			19,5	19,6	19,7	19,6	19,9	18,9	16,1	13,3	10,4	8,5	7	4,8	5,2	4,2	4,1			
14				16,1	16,3	16,4	16,2	16	14,3	12,2	9,4	8	6,7	4,7	5	4,2	4,1	2,5	1,7	
16				13,6	13,8	13,7	13,5	13,3	12,7	11,3	8,5	7,3	5,9	4,5	4,8	4,1	4	2,5	1,7	
18					11,6	11,6	11,4	11,1	10,7	10,4	7,6	6,7	5,4	4,2	4,6	4	3,9	2,5	1,6	
20					9,9	9,8	9,6	9,3	9,6	9,3	6,9	6,1	5	4	4,3	3,8	3,7	2,5	1,6	
22						8,4	8,2	8,5	8,3	7,9	6,3	5,5	4,6	3,7	4,1	3,6	3,6	2,4	1,6	
24						7,3	7,3	7,4	7,1	6,8	5,9	5	4,3	3,5	3,8	3,4	3,4	2,4	1,5	
26							6,7	6,5	6,1	5,8	5,5	4,6	4	3,3	3,6	3,2	3,2	2,3	1,5	
28								5,6	5,3	5,1	5,1	4,2	3,8	3,1	3,4	3	3	2,2	1,5	
30								4,9	4,6	4,8	4,5	3,9	3,5	2,9	3,2	2,9	2,9	2,1	1,4	
32									4,3	4,2	4	3,8	3,3	2,7	3,1	2,7	2,7	2	1,4	
34									4	3,8	3,5	3,5	3,1	2,6	2,9	2,6	2,6	1,9	1,4	
36										3,4	3,3	3,2	2,9	2,4	2,7	2,5	2,4	1,8	1,4	
38										3,1	3,1	2,9	2,8	2,3	2,6	2,3	2,3	1,7	1,3	
40											2,8	2,7	2,6	2,1	2,4	2,2	2,2	1,6	1,3	
42											2,5	2,5	2,3	2	2,2	2,1	2	1,5	1,3	
44												2,2	2,2	1,9	2	2	1,9	1,4	1,2	
46												2	1,9	1,8	1,8	1,8	1,8	1,3	1,1	
48													1,7	1,7	1,5	1,6	1,6	1,2	1,1	
50														1,6	1,6	1,4	1,4	1,1	1	
52															1,4	1,2	1,2	1,2	0,9	0,9
54																	1	1	0,8	0,8
56																	0,8	0,8		0,7

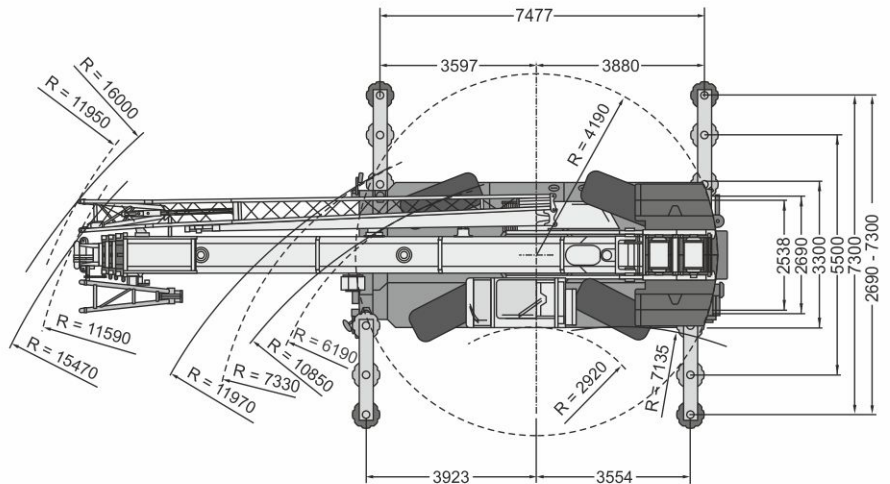
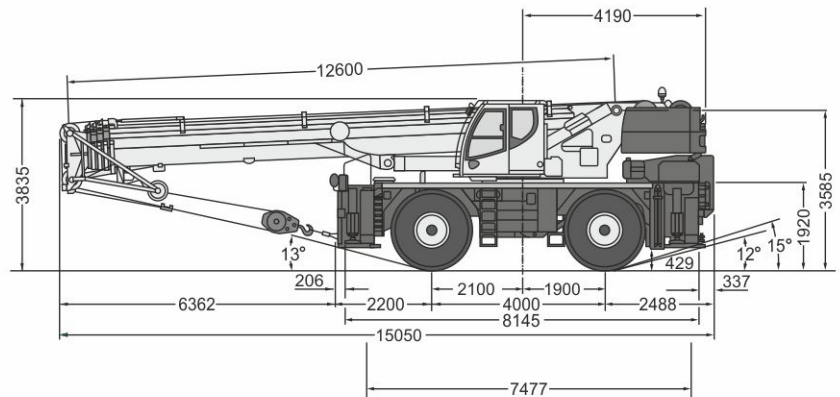


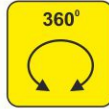
The short-base mobile crane **LIEBHERR LRT 1100-2.1** is an unsurpassed all-terrain vehicle with a lifting capacity of **100 t**, with a diagonal "crab drive" and active steering **4WS** (turning on a small radius).


The crane has a 50 m telescopic boom with the fastest **TELEMATIC** system from **LIEBHERR**.

With the help of a short mounting extension, **2 m** long and two independent winches, **LIEBHERR LRT 1100-2.1** is able to independently tilt various loads on the canopy and perform installation in hard-to-reach places under the roof. A **10.5 / 19 m** folding extension can change the angle of inclination **0 / 20 / 40** degrees, which is indispensable for installations in the area of the roof / overpasses of various structures.

The latest outrigger monitoring system provides the world's highest crane safety. And the **VarioBase** system allows, without reducing the lifting capacity, to safely perform work in a given sector in the absence of the ability to fully extend the crane legs.





Lifting capacities												
	12,6	17,3	22	26,6	31,3	36	40,7	45,3	50	50+2	50+10,5	50+19
2,5	100											
3	80	56,8	53,6									
3,5	68,8	57,4	53,6	42,2								
4	64,1	58	53,2	41,6								
4,5	60	56,5	52,1	41								
5	56,4	53	50,5	40,3	31,9							
6	49,7	47,2	44,9	36,9	30,4	19,4						
7	41,5	42	39,6	33	28,6	18,1	16,3					
8	35,1	34,9	32,5	29,6	26,3	16,8	15,7					
9	29,5	29,1	27,2	25,3	23,3	15,8	14,9	13,8				
10	24	24,6	23,3	21,7	20,1	14,8	14,1	13,3	10,8		5,6	
12		18,1	17,5	16,5	15,3	13	12,5	12,2	10,5	9,6	5,7	2,9
14		13,8	13,2	12,9	12,1	11,6	11,1	11,1	9,9	9,2	5,7	2,9
16			11,2	11,3	9,4	10,3	10	10	9	8,4	5,6	3
18			9,1	9,4	8,2	9,2	8,8	8,5	7,9	7,7	5,4	3
20				7,7	7,4	7,6	7,2	6,9	6,5	6,5	5,1	2,9
22				6,5	6,4	6,3	6	5,7	5,3	5,3	4,9	2,9
24				5,5	5,4	5,3	5	4,7	4,3	4,3	4,4	2,8
26					4,6	4,5	4,2	4	3,7	3,7	3,8	2,8
28					4	3,9	3,7	3,5	3,1	3,1	3,2	2,7
30						3,4	3,2	3	2,7	2,7	2,7	2,6
32						3,1	2,8	2,6	2,3	2,3	2,3	2,4
34							2,5	2,2	2	1,9	2	2,1
36							2,2	1,9	1,7	1,6	1,7	1,8
38							1,9	1,7	1,4	1,4	1,4	1,5
40								1,5	1,2	1,1	1,1	1,3
42								1,3	0,9	0,9	0,9	1,1
44											0,6	0,8



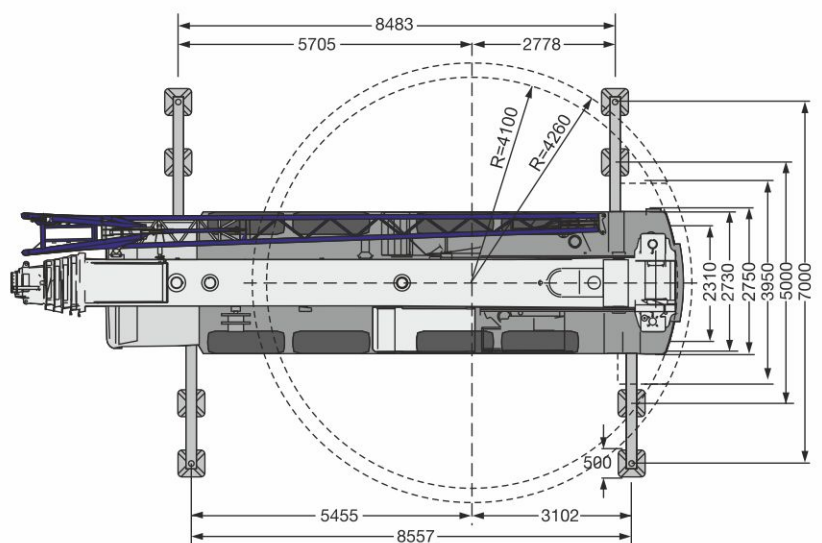
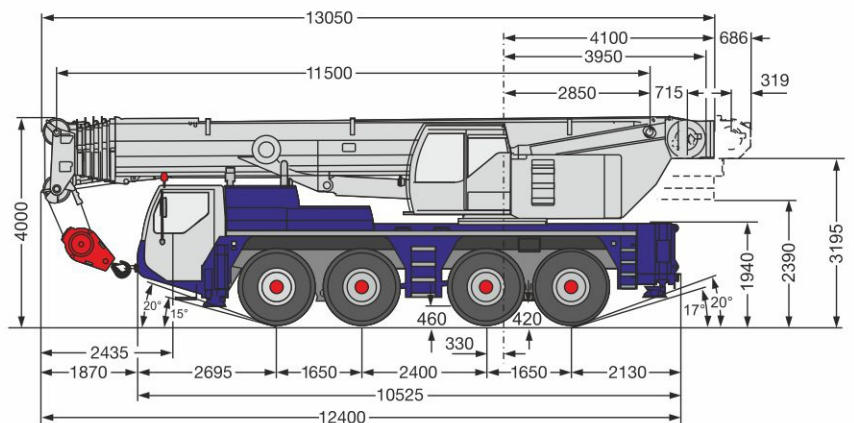
Mobile **4-axle** crane **LIEBHERR LTM 1100-4.1**, one of the most compact mobile cranes in the world with a lifting capacity of **100 tons**!

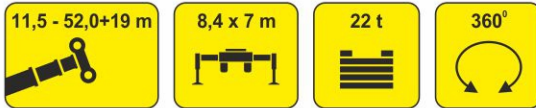
The mobile crane of **100 tons** is based on its own chassis with **4** steered axles, **3** of which are leading (wheel arrangement **8 x 6**). The crane is able to overcome steep inclines, move diagonally (crab move) and turn almost on the spot (along a small radius).


Axial and inter-axle locks of the three driving axles and automatic transmission low gears make it unusually passable on unpaved, sandy and snow-covered areas. The **Liebherr 100 t** mobile crane has a height-adjustable suspension with many settings.

The telescopic boom of the **LIEBHERR LTM 1100-4.1** crane extends from **11.5** to **52 meters**. The double lattice extension of the truck crane will add **10.8** or **19 meters** to the boom, which is a maximum of **71 meters**. The extension bar changes the angle by **22** and **40 degrees**, which is often used when working on the roof of multi-storey buildings. Using only a transport counterweight of **2.2 tons**, the crane is capable of lifting a load weighing **10.5 tons** to a height of **50 meters**!

Most often, the **LIEBHERR 100 ton** mobile crane is in demand for the installation of transformer substations, tower and bridge cranes, equipment of plants and factories, smoke removal systems, air conditioning on multi-storey buildings and shopping and entertainment complexes, loading and unloading heavy equipment, machinery, lifting and launching boats, yachts and many other works.





Lifting capacities														
 m	11,5	15,2	19	22,7	26,4	30,1	33,9	37,6	41,3	45	48,8	52	52+19	
2,5	100													
3	90	83												
3,5	82	75	69	59										
4	75	69	69	59	56									
4,5	70	64	63	60	56	47								
5	62	59	59	58	55	46	38							
6	51	50	50	50	50	43,5	36,5	30	25,2					
7	43	42	43	42,5	42	41,5	35	28,6	24,4	20,3				
8	36,5	36	37	36,5	36	35	33,5	26,7	23,2	19,7	17,6			
9			32	31,5	33	31,5	29,8	25	21,8	19	17,2	13,6		
10			27,9	27,8	28,7	27,9	26,2	23,4	20,5	18	16,6	13,2	10,7	
12			21,9	22,5	22,6	22,2	20,9	20,1	18,3	16,1	15	12,5	10,1	3,6
14				17,8	17,9	17,6	17,4	17,2	16,1	14,5	13,6	11,8	9,5	3,5
16				14,5	14,6	14,3	14,8	14,5	13,5	12,8	12,4	11,1	9	3,4
18					12,2	12,1	12,4	12	11,5	11,4	10,8	10,3	8,6	3,3
20						10,2	10,6	10,5	10,4	9,9	9,9	9,4	8,1	3,2
22						8,8	9,1	9,3	8,9	9	8,8	8,2	7,5	3,2
24							8	8,1	8,1	7,9	7,7	7,1	6,9	3,1
26							7,3	7,1	7,1	6,9	6,6	6,2	6,1	3
28								6,3	6,3	6	5,8	5,3	5,3	2,9
30								5,7	5,6	5,4	5,1	4,7	4,6	2,8
32									5	4,7	4,5	4,1	4,1	2,7
34									4,4	4,2	4	3,6	3,6	2,6
36										3,7	3,5	3,1	3,1	2,5
38										3,3	3	2,7	2,7	2,4
40											2,7	2,3	2,3	2,2
42											2,4	2	2	1,9
44												1,7	1,7	1,6
46													1,4	1,3
48													1,1	1,1
50														0,9



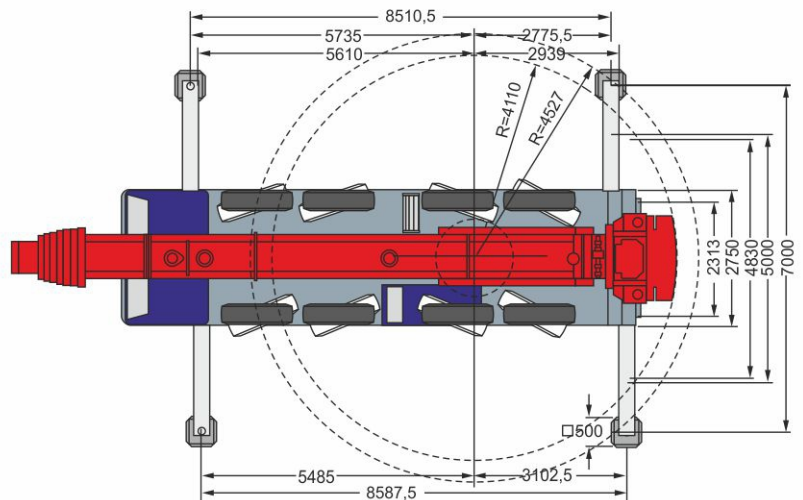
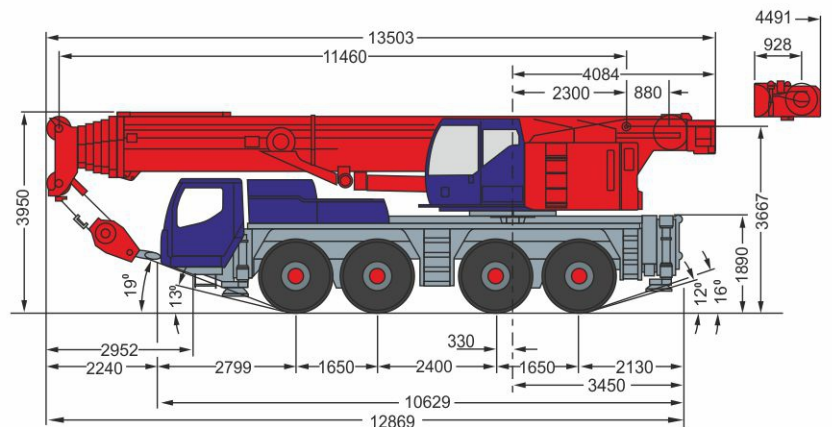
The mobile crane **LIEBHERR LTM 1100-4.2** with a lifting capacity of **100 tons** has a main telescopic boom of **60 meters!**

Using just one counterweight of **7.6 tonnes**, the crane is capable of lifting **10 tonnes** to a height of **58 meters**. With a support contour of **8.5 x 7 m**, the **LIEBHERR LTM 1100** can easily fit in tight spaces.


All crane axles are steerable. The mobile crane is able to move diagonally and turn around in a small radius. Each crane operation is speed controlled and has an additional accelerator. All operations are compatible.

The **LIEBHERR** crane has the highest reliability and safety level. Rent of the **LIEBHERR LTM 1100-4** mobile crane will solve the most difficult tasks of moving goods.

The engineers of our company will advise you and, if necessary, come to your facility.





Lifting capacities																	
	11,5		15,2	18,9	22,6	26,3	30,1	37,5	41,2	45	47,5	48,7	52,4	55,6	56,1	60	60+19
3	100	61,4	61,3	61,3	61,1												
3,5	72,8	59,6	59,5	59,4	59,4	59,1											
4	67,1	56,8	57	56,8	56,8	56,4	49										
4,5	61,8	52,5	52,8	52,9	52,8	52,8	48,6										
5	57,1	48,5	48,9	49	49,1	48,9	47,9										
6	48,5	42,1	42,7	43	42,9	42,7	42,3	32,8									
7	41,9	37	37,6	38,3	38,4	38,3	38	32,6	26,8	21,8							
8	36,7	32,7	33,6	34,1	34,3	34,2	33,8	31,9	26,5	22,1							
9	31,6	29,1	31	30,6	30,7	30,6	30,3	29	26	21,9	15,6	18,2					
10			26,8	27,4	27,5	27,4	27	26,1	25	21,7	15,2	18	15,1	12	12,4		
11			23,9	24,5	24,6	24,5	24,2	24	23,2	21,1	14,7	17,9	15	11,9	12,3	10,2	
12			21,5	22,1	22,2	22,1	22,2	21,9	21,1	20	14,3	17,5	14,9	11,7	12,2	10,2	
14				18,3	18,5	18,3	18,7	18,1	17,7	17,1	13,3	16,1	14,4	11,4	12	10	3,3
16				15,3	15,5	15,9	15,8	15,5	15,1	14,7	12,4	14,1	13,2	10,9	11,6	9,9	3,3
18					13,1	13,6	13,4	13,3	13,2	12,7	11,5	12,1	11,7	10,4	11	9,5	3,2
20					11,6	11,6	11,4	11,3	11,4	11,3	10,6	10,7	10,2	9,7	9,4	8,9	3,2
22						10	10,2	10	9,9	9,7	9,6	9,3	8,8	8,6	8,1	7,8	3,2
24						8,6	8,9	8,8	8,5	8,4	8,4	8,1	7,6	7,5	7	6,7	3,1
26							7,9	7,7	7,5	7,3	7,4	7	6,7	6,5	6	5,8	3,1
28								6,8	6,6	6,4	6,4	6,1	5,8	5,7	5,2	5	3
30								6	5,8	5,6	5,7	5,3	5	5	4,5	4,3	3
32								5,3	5,1	4,9	5	4,6	4,3	4,4	3,9	3,7	3
34								4,8	4,5	4,3	4,4	4	3,7	3,8	3,3	3,2	2,8
36									4	3,8	3,8	3,4	3,2	3,2	2,8	2,7	2,4
38									3,5	3,3	3,4	3	2,7	2,8	2,3	2,3	2
40										2,9	2,9	2,5	2,3	2,3	1,9	1,9	1,6
42										2,5	2,6	2,2	1,9	2	1,5	1,5	1,3
44											2,2	1,9	1,6	1,6	1,2	1,2	1
46												1,6	1,3	1,3	0,9	0,9	0,7
48													1	1			
50													0,8	0,8			



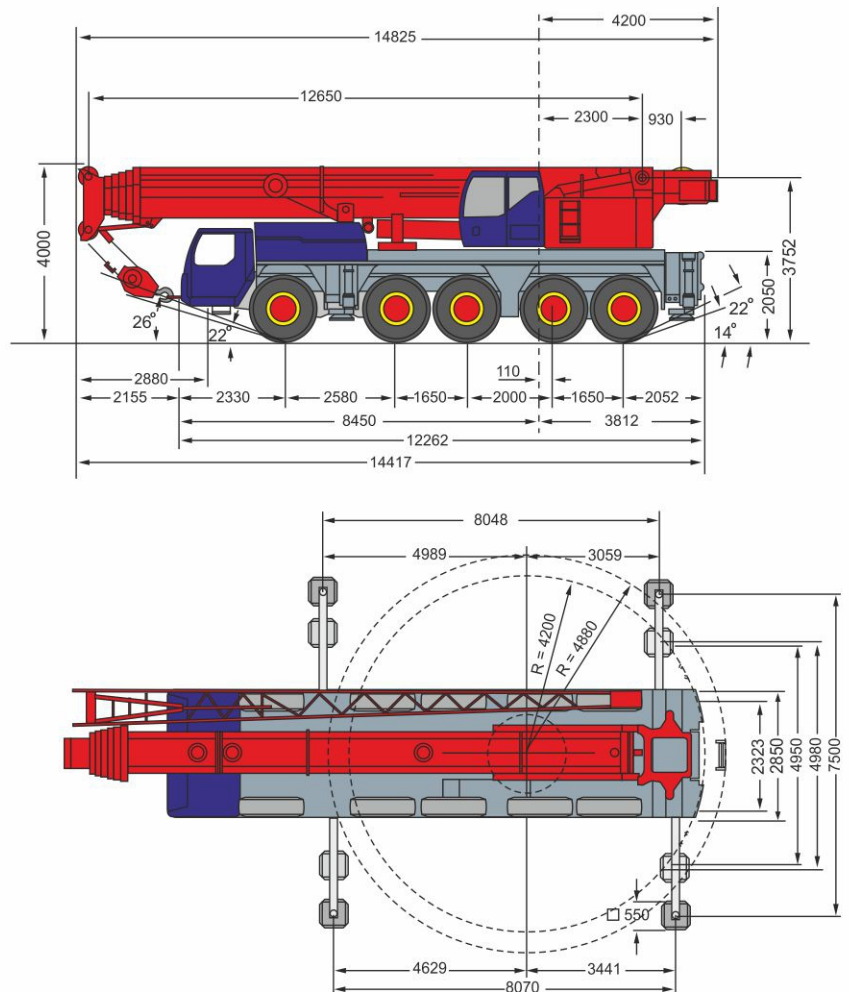
The **LIEBHERR LTM 1130-5.1** mobile crane with a lifting capacity of **130 tons**, has a main boom **60 meters** long. When using an extension cord, its length reaches **82 meters**, and the extension cord can be tilted up to **45 degrees**!

This new crane of the German concern **LIEBHERR** incorporates all the latest technical achievements.


The mobile crane has five axles, four of which are leading and have automatic and manual control during maneuvers. The adjustable suspension allows you to change the ride height. The **LIEBHERR LTM 1130-5.1** mobile crane is able to go around the corner of a building with a turn of almost **90 degrees**. By changing the course of the front and rear wheels, the mobile crane is able to move to the side and turn almost on the spot. A wide range of settings allows you to choose the optimal speed settings for each operation. When working at high heights, the driver can change the angle of the cab, which prevents the neck muscles from fatiguing. Full combination of all operations and the presence of accelerators on the control joysticks allow you to move loads as quickly as possible. The mobile crane is designed for severe winters and is capable of operating at temperatures up to minus **42 degrees**!

The company "**LUKAS-KRAN**" as much as possible completes mobile cranes with all the necessary slings and also provides pads for unpaved areas! Renting a **LIEBHERR LTM 1130-5.1** mobile crane will significantly reduce the time for loading and unloading and installation work at your facility!

Managers of the company "**LUKAS-CRANE**" will be happy to advise you! If necessary, our engineer will come to your site and give the necessary recommendations!





Lifting capacities																
 m	12,7	17	21,4	25,7	30,1	34,4	38,8	43,1	47,5	50,5	51,9	54,9	56,2	60	60+19	
3	130	100	83													
3,5	92	92	83	82	70											
4	86	86	82	79	68	57										
4,5	80	80	77	74	66	56										
5	75	74	72	69	64	55	43,5									
6	67	64	64	62	60	52	42	32,5								
7	60	57	57	56	54	49	40,5	32	25							
8	53	50	51	51	48,5	47	39	31	24,5	19,6						
9	46,5	44,5	45	45	44,5	43,5	37,5	30	23,9	19,3	14,5	16				
10	37,5	37,5	40	40,5	40	40,5	36	28,6	23,4	18,9	14,5	16	12,8	13		
11			36	36	36	36,5	35	27,1	22,7	18,6	14,1	15,9	12,8	13	10,5	
12			32,5	32,5	32,5	33	32,5	25,5	21,7	18,2	13,6	15,5	12,6	12,9	10,5	
14			26,8	27,7	27,7	27,4	26,9	22,9	19,5	16,9	12,6	14,7	12	12,4	10,5	3,5
16				23,4	23,4	23,1	22,6	20,3	17,8	15,5	11,6	13,7	11,3	11,8	10,2	3,5
18				20,1	20	19,7	19,2	18,5	16,1	14,2	10,7	12,7	10,5	11,1	9,8	3,4
20					17,3	17	16,5	16,8	14,7	13	9,9	11,7	9,8	10,4	9,2	3,4
22					15,2	14,8	14,7	14,8	13,4	11,9	9	10,8	9,2	9,8	8,6	3,4
24						13	13,5	13	12	11	8,3	10	8,5	9,1	8,1	3,3
26						11,7	12	11,5	11	10	7,7	9,3	7,9	8,5	7,6	3,3
28							10,8	10,2	10	9,3	7,1	8,6	7,4	8	7	3,3
30							9,7	9,1	9,4	8,3	6,6	8	6,9	7,4	6,6	3,2
32							7,3	8,2	8,4	7,7	6,1	7,4	6,4	6,9	6,1	3,2
34								7,7	7,5	7,3	5,6	6,7	6	6,5	5,6	3,2
36								7,1	6,8	6,8	5,3	6,2	5,7	6,1	5,3	3,1
38									6,1	6,1	4,9	5,9	5,3	5,5	4,9	3,1
40									5,6	5,5	4,5	5,3	5	4,9	4,5	3
42										5	4,2	4,8	4,7	4,4	4,2	2,9
44										4,5	4	4,3	4,4	4	3,9	2,8
46											3,7	4	4	3,6	3,6	2,6
48											3,2	3,6	3,7	3,2	3,2	2,5
50													3,3	2,8	2,8	2,3
52													2,9	2,5	2,5	2,2
54															2,2	2,1
56															1,9	1,9
58																1,7
60																1,4
62																1,2
64																1
66																0,8



The **LIEBHERR LTM 1160-5.1** mobile crane has a lifting capacity of **160 tons** and a boom length of **62 meters**!

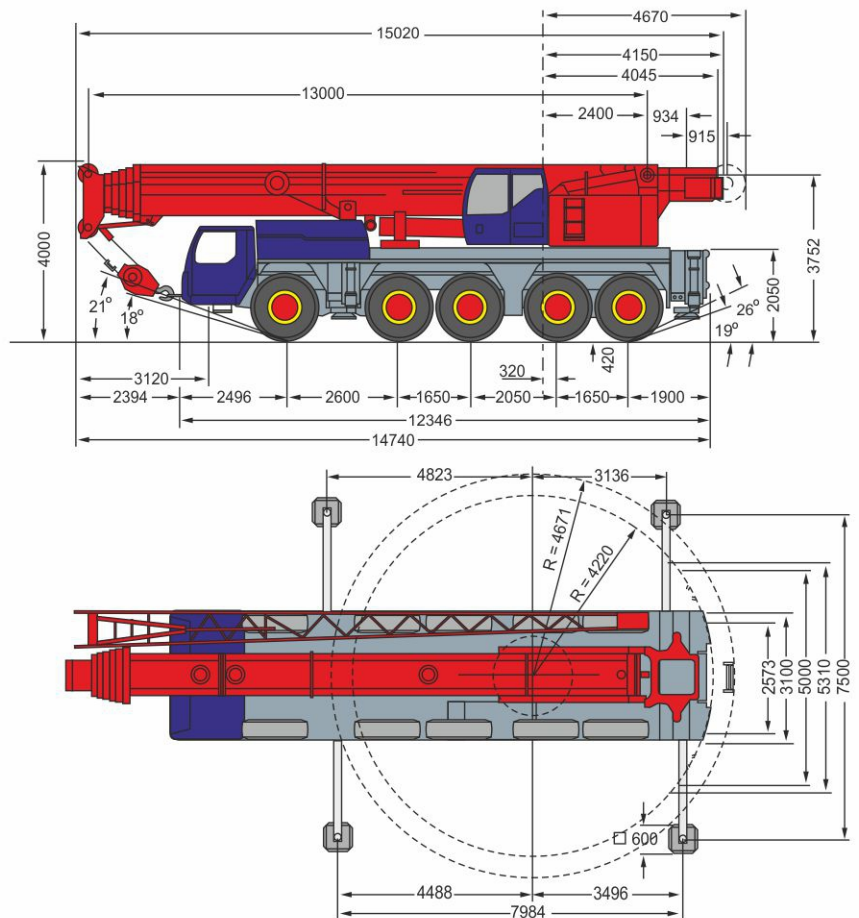
On a full boom, the **LIEBHERR LTM 1160-5.1** mobile crane lifts 11.5 tons to a height of **60 meters**! The lattice extension will add **12 or 22 meters** in two positions! The extension tilts **22.5 or 45 degrees** if necessary!

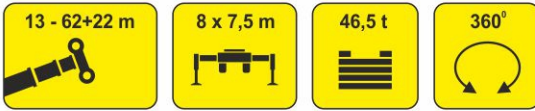
With a length of only **14.6 meters**, the German **LIEBHERR LTM 1160-5.1** crane has the highest maneuverability and maneuverability! Four of the five axes are driven and steered. This mobile crane has a crab drive and a close radius swing! The supporting contour of the mobile crane is only **8 x 7.5 m**.

Our company, if necessary, will provide pads for work on unpaved sites. The combination of all operations and a large selection of speed modes allows you to perform the assigned tasks as quickly as possible!

Like all mobile cranes of the German concern **LIEBHERR**, this mobile crane has the most modern technologies. With the highest performance and ease of use, the **LIEBHERR LTM 1160-5.1** mobile crane has the most advanced safety systems!

Electronic systems take into account wind speed, ground subsidence and many other factors that pose a hazard to work. The truck crane has a winter package from the **LIEBHERR** plant and is capable of operating at temperatures up to **- 42 degrees**.





Lifting capacities														
	13	17,5	22	26,5	31	35,5	40	44,6	49,1	53,6	58,1	62	62+22	
3	160	115												
3,5	115	107	96											
4	104	99	96	94	78									
4,5	95	91	89	85	76	63								
5	89	85	84	80	74	62	50							
6	79	74	74	72	69	60	49	38						
7	65	64	65	64	63	58	47,5	36	28,4					
8	56	56	56	56	56	55	46	34,5	27,3					
9	48	48	49	49,5	49	48,5	44	32,5	26,1	21,5				
10	42,5	42,5	43	43,5	43	42,5	42,5	30,5	24,9	20,8	17			
10,5	40	40	40,5	41	40,5	40	40,5	29,8	24,2	20,4	16,8	14		
11			38,5	38,5	38	39	38,5	28,9	23,6	19,9	16,5	13,9		
12			34,5	34,5	34	35	34,5	27,2	22,4	19,1	16	13,6	11,5	
14			28,1	28,2	29	28,7	28,1	24,4	20,1	17,5	15	13,8	11	
15			26	25,8	26,5	26,2	25,6	23,1	19,2	16,7	14,4	12,5	10,7	
16				24,3	24,3	23,9	23,3	21,8	18,3	15,9	13,9	12,1	10,4	3,6
18				20,7	20,7	20,3	19,7	19,1	16,6	14,6	12,8	11,3	9,8	3,5
19,5				18,5	18,5	18,1	17,5	17,3	15,4	13,6	12,1	10,7	9,4	3,5
20					17,8	17,4	16,8	16,7	15,1	13,3	11,8	10,6	9,2	3,5
22					15,5	15,1	14,6	15,1	13,8	12,2	10,9	9,9	8,7	3,4
24					13,7	13,2	13,5	13,2	12,3	11,3	10,1	9,2	8,2	3,3
26						11,7	12,2	11,6	11,1	10,3	9,4	8,6	7,7	3,3
28						10,9	10,8	10,3	9,9	9,3	8,7	8	7,2	3,2
30							9,7	9,1	9,4	8,6	8	7,5	6,7	3,1
32							8,7	8,2	8,4	7,8	7,3	6,9	6,3	3,1
34								7,8	7,5	7,2	6,7	6,5	5,8	2,9
36								7,3	6,7	6,7	6,3	6,1	5,4	2,8
38									6	6	5,8	5,4	5,1	2,7
40									5,5	5,4	5,3	4,9	4,8	2,6
42									5,4	5	4,9	4,5	4,5	2,5
44										4,6	4,4	4,1	4,1	2,3
46										4,3	4,1	3,7	3,7	2,2
48											3,7	3,4	3,4	2,1
50											3,4	3	3	2
52												2,6	2,6	1,9
54												2,3	2,3	1,7
56													2	1,5
58													1,7	1,2



180t
62m
19m

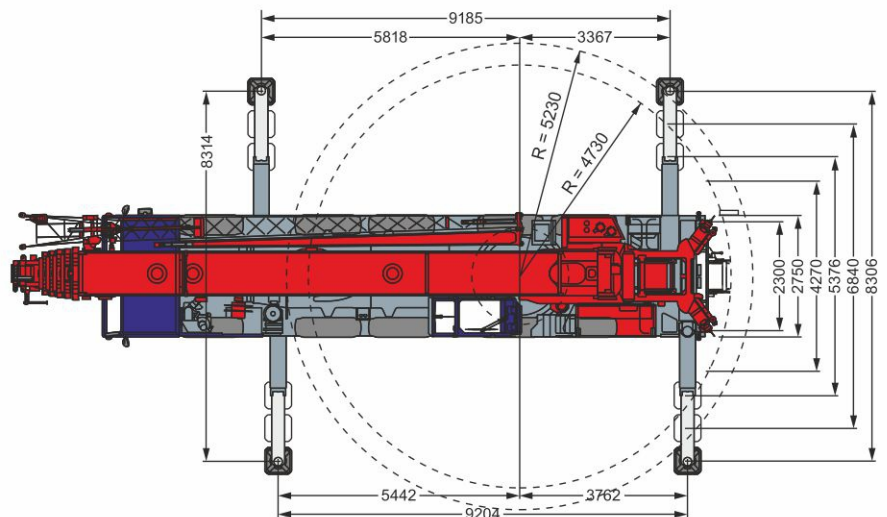
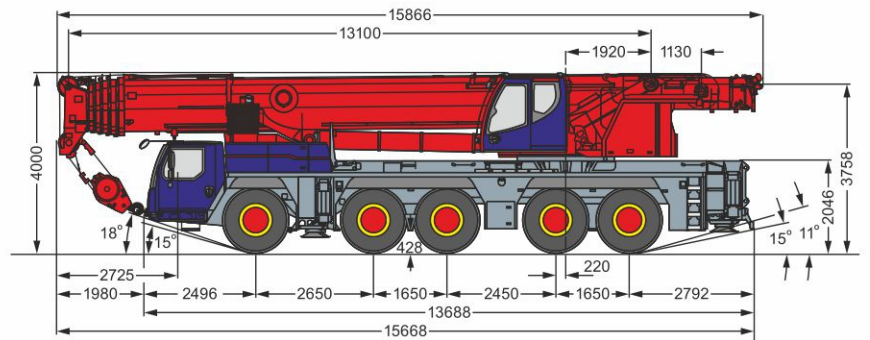
The latest development of the **LIEBHERR** plant is a **180 ton LTM 1160-5.2** mobile crane with a telescopic boom of **62 meters** and a lattice extension of **19 meters**.

Thanks to the support contour of **9.2 x 8.3 m** and counterweights with a total weight of **54 tons**, the mobile crane has excellent lifting characteristics at any reach (working radius).

The lattice crane extension is also reinforced to handle heavy loads over long distances! Like other mobile cranes of the **LIEBHERR** plant, the crane has absolutely all steerable axles, it is able to move diagonally and turn along a small radius.


The company "**LUKAS-KRAN**" together with the crane provides steel pads for ground areas, chain and textile slings, as well as various traverses!

Electronic systems take into account wind speed, ground subsidence and many other hazards in operation. The mobile crane has a winter package from the **LIEBHERR** plant and is capable of operating at temperatures up to **minus 42 degrees!**





Lifting capacities

 m	13,1	17,6	22,1	26,6	31,1	35,5	40	44,5	49	53,5	58	62	62+19	
2,5	180													
3	160	86	86	86										
3,5	139,3	86	86	86	86									
4	130,8	86	86	86	86									
4,5	123,1	86	86	86	86	75,5								
5	113,9	86	86	86	86	74,8								
6	95,2	86	85,1	86	85,7	73	58,6							
7	81,5	77,1	77,4	77,4	77,7	71,1	56,6	42,2						
8	71,1	68,7	69,5	69,7	69,4	68,2	54,7	39,7	33,1					
9	62,9	61,6	62,4	62,6	62,3	61,8	52,9	37,3	31,7	26,5				
10	56,2	55,1	56,1	56,3	56	55,5	51	35,3	30,2	25,6	22			
11	47,5	47,5	50,2	50,4	50,1	49,6	49,1	33,5	28,8	24,7	21,3	17,1		
12			45,2	45,5	45,2	46	45,5	31,7	27,5	23,7	20,6	16,7	13,7	
13			40,9	41,2	40,9	41,7	41,2	30,1	26,2	22,7	20	16,4	13,4	
14			37	37,3	38,2	37,8	37,3	28,6	24,9	21,8	19,3	16	13,1	4,3
16				31,2	32	31,7	31,1	25,7	22,8	19,9	18,2	15,2	12,4	4,3
18				27,2	27,4	27	26,4	23,3	20,8	18,4	17,1	14,4	11,8	4,2
20				22,3	23,6	23,3	22,7	21,4	19,1	17	15,9	13,7	11,2	4,2
22					20,6	20,2	19,6	19,7	17,5	15,7	14,8	12,9	10,6	4,1
24					18,1	17,7	17,1	17,5	16,1	14,5	13,8	12,2	10	4
26						16,1	15,7	15,4	14,8	13,4	12,8	11,5	9,3	4
28						14,4	14,5	13,7	13,6	12,5	11,9	10,8	8,7	3,9
30							13	12,2	12,2	11,6	11,1	10,2	8,1	3,8
32							11,7	11,1	10,9	10,5	10,4	9,5	7,6	3,8
34								10,5	9,8	9,8	9,4	8,9	7,1	3,7
36								9,6	8,8	8,9	8,7	8,4	6,6	3,7
38								7,6	8	8	8,1	7,8	6,1	3,6
40									7,7	7,2	7,4	7	5,7	3,5
42									7,4	6,5	6,7	6,3	5,4	3,5
44										6	6,1	5,7	5,1	3,4
46										5,8	5,5	5,2	4,8	3,3
48											5,1	4,7	4,5	3,2
50											4,7	4,3	4,2	3,1
52												4	4	2,9
54												3,6	3,6	2,8
56												2	3,3	2,6
58													3	2,5
60													1,5	2,3
62														2,2
64														1,6
66														0,8

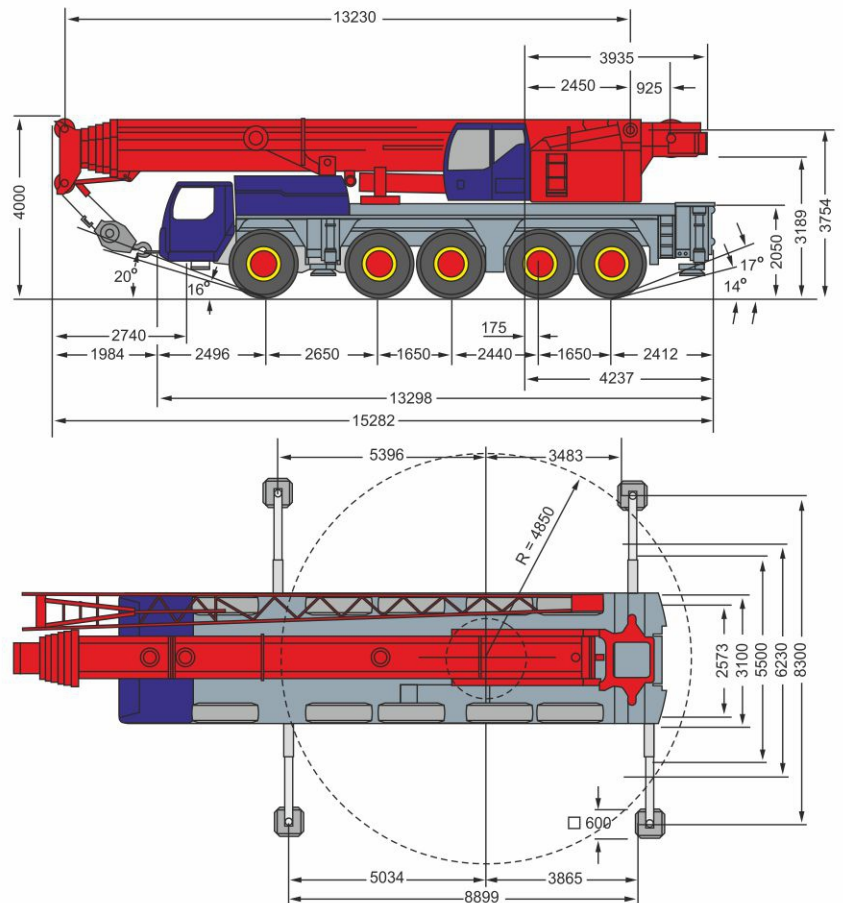


The German **LIEBHERR LTM 1200-5.1** mobile crane with a loading capacity of **200 tons** has the longest boom among the analogues at **72 meters** long! This mobile crane can lift a load weighing **11 tons** on the height of **68 meters** without additional counterbalances! The extender has the length of **12 or 22 meters**, and it allows the lifting height to be increased up to **94 meters**.


The **LIEBHERR LTM 1200-5.1** mobile crane has incorporated all of the latest German technology. All the axles are steering, and that allows the mobile crane to move diagonally and to turn on spot! The contour of the bearing part of the mobile crane is only **8.5 m x 9.0 m**. The "**LUKAS-CRANE**" company provides pads for soil complete with the mobile crane!

The **LIEBHERR LTM 1200-5.1** mobile crane has a set of high-speed modes of each operation, and these allow smooth and precise mounting, and if necessary carrying out loading and unloading the high speeds. Full combinations of all operations also helps to increase the speed of accomplishing the tasks.

The mobile crane is made by the German concern **LIEBHERR** for severe winter conditions; therefore it is able to work at air temperatures of down to **42 degrees** below zero!





Lifting capacities																
 m	13,2	17,7	22,2	26,7	31,3	35,8	40,3	44,8	49,3	53,8	58,3	62,8	67,3	72	67,3+22	
3	200 143															
3,5	142 133	125														
4	133 123	123	122	107												
4,5	125 115	115	115	105	85											
5	117 107	108	107	103	84	70										
6	105 95	95	94	94	82	69										
7	93 84	85	84	84	80	68	52	40								
8	82 76	76	76	76	76	66	51	38,5								
9	73 69	69	68	69	68	63	49	37	30,5							
10	62 62	63	62	63	62	59	47	35	29,3	24,4						
11		58	57	57	57	56	45	33	27,9	23,7	19,2					
12		53	53	53	52	53	43,5	31	26,4	22,8	18,8	15,6				
14		44,5	44,5	44,5	44	44,5	40	27	23,9	20,9	17,6	14,9	12,6	10,6		
16			38	37,5	38,5	38	36,5	24,8	21,6	19,1	16,3	14,1	12,1	10	4,4	
18			33	32,5	33	32,5	33	22,3	19,8	17,4	15,2	13,2	11,5	9,5	4,4	
20				29	28,8	29,2	28,9	20,2	18	16	14,1	12,4	10,9	9	4,3	
22				25,8	25,3	26,1	25,4	18,4	16,4	14,7	13,2	11,6	10,3	8,5	4,3	
24				19,7	22,4	23,2	22,5	16,7	15,1	13,4	12,2	11	9,8	7,9	4,2	
26					20,4	20,7	20,1	15,5	13,8	12,5	11,3	10,3	9,2	7,4	4,2	
28					18	18,6	17,9	14,6	12,8	11,5	10,5	9,7	8,7	6,9	4,1	
30						16,7	16,1	13,9	11,8	11,5	9,8	9,1	8,2	6,4	3,9	
32						15,2	14,5	13,3	10,9	10	9,2	8,5	7,7	5,9	3,8	
34							13,2	12,6	10,1	9,3	8,5	7,9	7,3	5,4	3,7	
36							12	12,1	9,5	8,6	7,9	7,3	6,8	5,1	3,6	
38								11,5	9	8	7,3	6,8	6,4	4,8	3,5	
40								10,6	8,6	7,4	6,8	6,4	6,1	4,4	3,3	
42									8,3	6,8	6,4	5,9	5,7	4,1	3,2	
44									8	6,3	5,9	5,6	5,4	3,8	3	
46									7,4	6	5,5	5,3	5,1	3,6	2,9	
48										5,8	5,2	5	4,8	3,3	2,8	
50											4,9	4,7	4,5	3	2,7	
52											4,7	4,4	4,3	2,8	2,6	
54												4,2	4,1	2,6	2,5	
56												4	3,9	2,4	2,3	
58												3,9	3,7	2,2	2,2	
60													3,5	2,1	2,1	
62													3,3	1,9	2	
64														1,8	1,9	
66														1,6	1,7	
68															1,6	
70															1,4	
72															1,3	
74															1,2	
76															1,1	



The German truck crane **DEMAG AC 300-6** has a telescopic boom of **80 meters!**

Despite the fact that it is the most compact **300 t** mobile crane in the world, its basic lifting characteristics are superior to existing counterparts at radii from **6 to 50 m**.

Absolutely all steerable axles of the mobile crane **DEMAG AC 300-6** allow it to easily maneuver in tight spaces and move freely on narrow roads. Features such as crab (diagonal) and close-radius U-turns allow it to enter places where a normal scow cannot go.

The folding, two-section lattice jib **11.4 / 21 m** has a hydraulic control, which allows you to change its angle from **0 to 40 degrees** directly during installation, which in many cases is simply irreplaceable.

The mobile crane **DEMAG AC 300-6** by **LUKAS-KRAN** is equipped with a controlled (shunting) lattice jib with a maximum length of **63 meters**. This configuration of the crane is also called a tower-boom design - when the main boom of the truck crane is fixed at a given length at an angle of either **83, or 73, or 65 degrees**, and all operations to move the load are performed by changing the angle of the controlled (shunting) extension and turning the entire tower - shooting installation. The shunting (controlled) extension has several configurations:

SWIHI - lengths from **26 to 44 m** for moving heavy loads weighing up to **28 tons**;

WIHI - length from **36 to 54 m** for moving medium loads weighing up to **16.5 tons**;

LWIHI - in lengths from **45 to 63 m** for moving light loads weighing up to **6.5 tons**.

In addition to the controllable and folding jib, the **300 t DEMAG AC 300-6** mobile crane is equipped with rigidly fixed lattice jibs and an assembly jib:

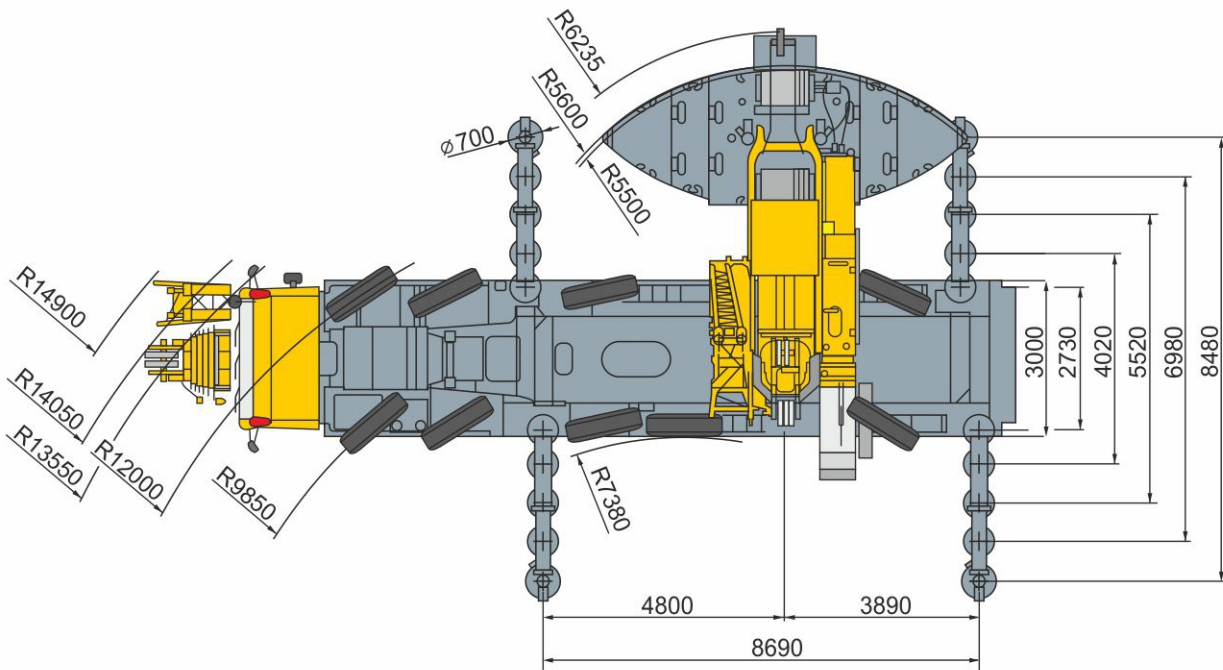
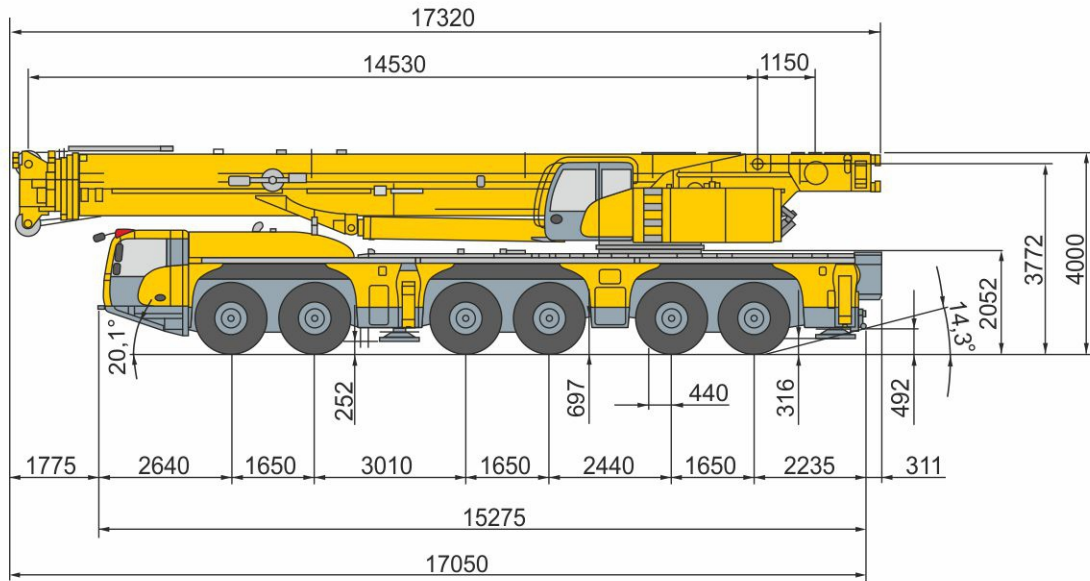
SF - lengths from **14.6 to 32.6 m** for moving heavy loads up to **28 tons**.

F - length from **24.4 to 42.4 m** for moving medium loads up to **21 t** (section **6 m** with a head **0 - 20-40 g.**)

LF - length from **34 to 52 m** for moving light loads up to **9.5 t** (section **21 m** with top **0 - 20 - 40 g.**)

MS - a mounting jib with a length of **1.6 m**, allows mounting equipment weighing up to **40 tons** inside industrial premises (with a limitation in height above the boom head and before the hook suspension).

All this maximum configuration of the crane **300 t DEMAG AC 300-6** allows you to solve most of the most complex installations in industrial construction.




Contact the managers of the **LUKAS-KRAN** company, who will promptly organize a visit of the design engineer to your facility to select the optimal crane configuration.

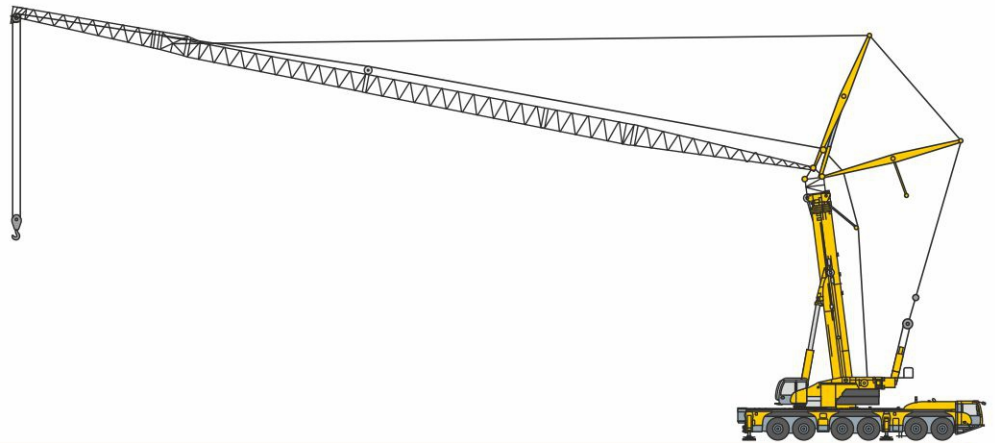
Subsequently, you can also order from us the

development of technological maps, both as part of your **PPR** (development of the **PPR PS** section), or the development of a separate **PPR PS (PPRK)** for installation work using lifting structures (cranes).

DEMAG AC 300-6



Lifting capacities																	
 m	14,5	14,5	19,5	24,4	29,4	34,3	39,3	44,2	49,2	54,1	59,1	64,0	69,0	73,9	80,0	80 + 11,4	80 + 21
2,5	300																
3	155,0	155,0	152,5	144,0													
4	155,0	155,0	152,5	144,0	129,5												
5	153,5	145,5	146,5	141,5	128,5	108,5											
6	135,5	128,5	129,5	128,5	122,0	106,0	83,8										
7	120,5	114,5	115,5	115,0	112,0	101,5	83,4	65,7									
8	107,5	103,5	104,0	104,0	101,0	98,1	82,7	64,8	52,9								
9	96,4	94,0	95,0	94,9	92,4	90,0	81,2	63,8	51,4								
10	85,3	85,3	86,9	86,9	84,8	82,4	79,7	62,9	49,2	42,3							
12	55,3	55,3	74,0	74,0	72,5	72,1	70,1	60,8	44,1	39,6	33,6						
14			62,1	62,9	62,3	62,9	61,1	57,6	39,4	36,1	31,8	27,7					
16			48,3	53,8	54,6	54,2	53,3	53,7	35,3	32,6	29,3	26,5	22,8	19,3			
18				47,4	47,5	46,8	47,6	47,0	32,4	29,4	26,8	24,8	22,0	19,3	15,0		
20				39,7	40,9	40,4	41,3	40,2	30,3	26,6	24,4	22,8	20,8	18,9	15,0	8,7	5,2
22				25,2	35,5	36,7	35,9	34,9	28,3	24,3	22,2	21,0	19,4	18,1	15,0	8,7	5,1
24					31,5	32,4	31,6	30,6	26,6	22,2	20,4	19,3	18,0	17,2	14,6	8,7	5,1
26					26,1	28,8	28,1	27,1	25,1	20,4	18,7	17,7	16,7	16,1	14,0	8,7	5,0
28						25,9	25,1	24,1	23,9	18,8	17,2	16,3	15,4	15,0	13,2	8,7	5,0
30						23,1	22,6	21,6	22,4	17,4	15,9	15,2	14,3	14,0	12,5	8,7	4,9
32						13,7	20,5	20,2	20,3	16,4	15,0	14,1	13,3	13,0	11,7	8,7	4,9
34							18,7	19,2	18,4	15,6	14,2	13,2	12,4	12,1	10,9	8,7	4,8
36							16,0	17,8	16,8	14,8	13,5	12,4	11,5	11,2	10,2	8,7	4,8
38							10,0	16,4	15,4	14,2	12,8	11,7	10,8	10,4	9,5	8,3	4,7
40								14,5	14,1	13,5	12,2	11,1	10,1	9,7	8,8	7,9	4,7
42								7,8	12,9	13,0	11,6	10,5	9,5	9,0	8,1	7,4	4,6
44								7,5	11,9	12,3	11,1	9,9	9,0	8,4	7,5	7,0	4,6
46									9,7	11,3	10,6	9,4	8,4	7,8	7,0	6,5	4,5
48									7,6	10,5	10,1	8,9	7,9	7,3	6,5	6,0	4,5
50										9,0	9,7	8,5	7,5	6,8	6,0	5,6	4,4
52										5,8	9,1	8,1	7,1	6,4	5,6	5,2	4,3
54										5,5	8,4	7,7	6,6	6,0	5,2	4,7	4,2
56											5,8	7,3	6,3	5,6	4,8	4,35	4,1
58											5,5	6,9	5,9	5,2	4,4	4,0	4,0
60												4,2	5,6	4,9	4,1	3,7	3,8
62												3,9	5,3	4,5	3,8	3,4	3,6
64												3,4	3,8	4,2	3,5	3,1	3,4
66												2,8	2,3	3,9	3,1	2,8	3,2
68														3,4	2,9	2,6	2,9
70														2,8	2,6	2,3	2,7
72															2,4	2,0	2,4
74															2,2	1,8	2,2
78																1,4	1,8
82																1,1	1,4
86																	1,0



8,7 x 8,5 m

93,8 t

360°

Lifting capacities

77,9 m (34,3 + 43,6 m)
SWIHI

97,6 m (44,2 + 53,4 m)
WIHI

124,1 m (59,1 + 2 + 63,0 m)
LWIHI

	83°	73°	65°
14			
16			
18	10,5		
20	10,3		
22	10,1		
24	10,0		
26	9,8		
28	9,6		
30	9,5		
32	9,4	9,2	
34	9,2	9,0	
36	9,1	8,9	
38	9,0	8,8	
40	8,8	8,7	
42	8,7	8,6	8,4
44	8,6	8,5	8,3
46	8,2	8,5	8,2
48		8,5	8,1
50		8,4	8,1
54			8,1

	83°	73°	65°
16			
18			
20			
22	6,0		
24	5,9		
26	5,8		
28	5,7		
30	5,6		
32	5,5		
34	5,5		
36	5,4		
38	5,3		
40	5,3	5,2	
42	5,2	5,1	
44	5,2	5,1	
46	5,1	5,0	
48	5,1	4,9	
50	5,1	4,9	
54	5,0	4,9	4,7
58		4,9	4,6
62		4,9	4,6
66			4,6
70			4,6

	83°	73°	65°
24			
26	3,3		
28	3,3		
30	3,2		
32	3,2		
34	3,1		
36	3,1		
38	3,1		
40	3,0		
42	3,0		
44	3,0		
46	2,9		
48	2,9	2,8	
50	2,9	2,8	
54	2,8	2,8	
58	2,8	2,7	
62	2,8	2,7	
66	2,8	2,7	2,5
70		2,7	2,5
74		2,7	2,5
78			2,5
82			2,5

These tables represent an insignificant part of the catalog (see: Download the catalog DEMAG AC 300-6.pdf)

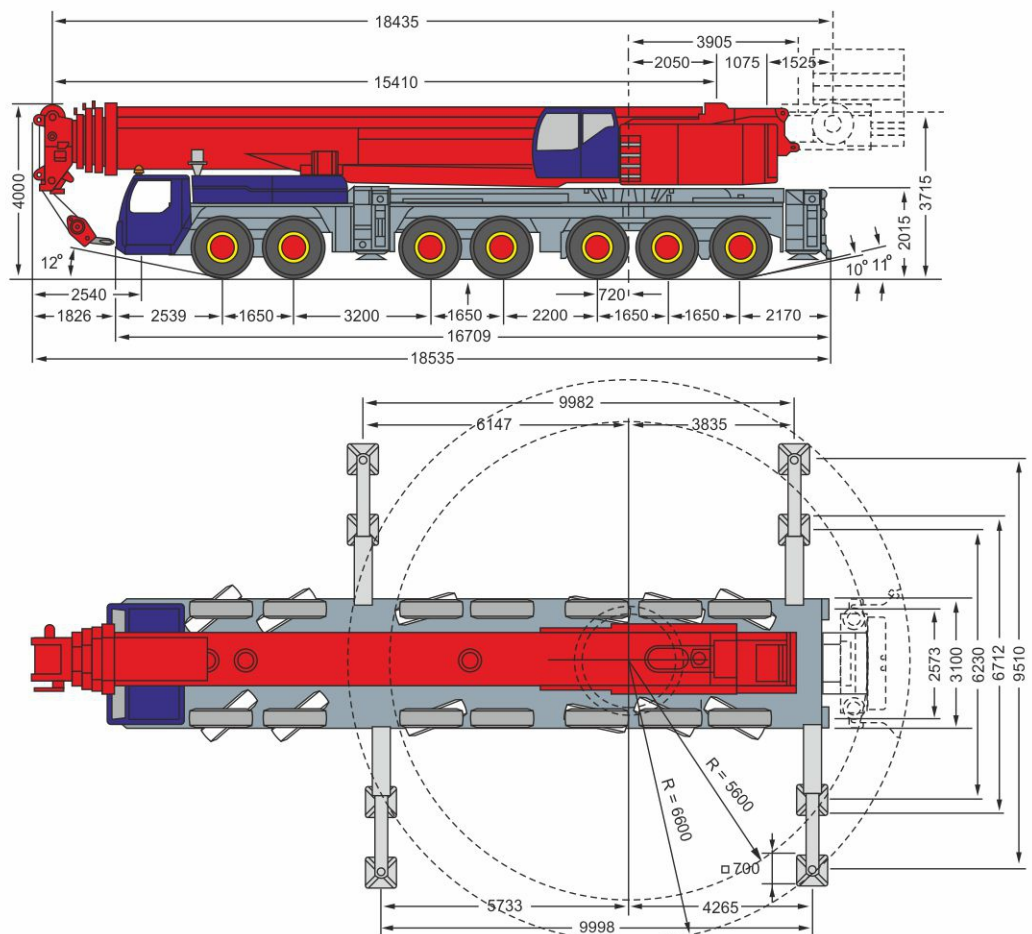


The **LIEBHERR LTM-1400-7.1** mobile crane with a maximum lifting capacity of **400 tons** has a telescopic boom **60 meters** long. The mobile crane has a **94 meter** long lattice extension and can be used as a tower crane! But unlike standard tower cranes, its lifting characteristics are several tens of times higher!

Despite its size, the mobile crane is more maneuverable than an ordinary scow! All its **7 axles** are steered and steered! Adjustable ride height and suspension stiffness! Like all **LIEBHERR** mobile cranes, it has a crab travel and a turn on a small radius!


The complete supporting contour of the mobile crane is only **9.5 m x 10.0 m**. The working area of the mobile crane is **360 degrees**! The mobile crane has many speed modes for each operation, which allows it to be optimally used for various types of work. The most modern mobile crane computer fully controls all crane parameters, including support pressure and wind speed!

The mobile crane is provided only after the preliminary departure of the engineer of our company to the work site, which guarantees 100% fulfillment of the assigned tasks!





Lifting capacities

 m	15,4	20,5	25,7	30,8	36	41,1	46,3	51,4	56,6	60	51,4+2,3+56	56,6+2,3+56	
3	400												
3,5	270												
4	239												
4,5	229												
5	216												
6	194												
7	176	161	161	161	117	105							
8	158	146	146	145	137	113	86	73					
9	141	132	132	131	127	106	80	69	59				
10	126	121	121	120	119	99	75	65	56	47,5			
12	104	102	101	101	101	88	66	59	51	44	38,5		
14			87	86	87	79	59	53	46,5	41	36		
16			75	75	75	71	54	47	42,5	38	33,5		
18			66	66	65	65	50	42,5	39	35,5	31		
20				58	57	58	46,5	38,5	35,5	32,5	29,2		
22				52	51	52	43,5	35	32,5	30	27,2	7,4	
24					45,5	46,5	40,5	32	29,9	27,7	25,3	7,1	
26					43	42	38	29,9	27,5	25,8	23,5	6,7	6,4
28					39	38	36	28,2	25,3	24	22,1	6,4	6,1
30						34,5	34	26,6	23,3	22,4	20,6	6	5,8
32						31,5	32,5	25,1	21,7	20,8	19,2	5,7	5,5
34							29,9	23,7	20,2	19,5	17,9	5,4	5,2
36							27,6	22,7	19	18,2	16,8	5,2	5
38							25,6	21,8	17,9	17	15,8	4,9	4,8
40								20,9	17,1	15,9	14,9	4,7	4,5
42								20,1	16,3	14,8	14	4,4	4,3
44								19,1	15,6	14	13,1	4,2	4,1
46									14,9	13,3	12,3	4	3,9
48									14,2	12,5	11,8	3,8	3,7
50										11,8	11,2	3,7	3,5
52										11,2	10,6	3,5	3,4
54										10,5	10	3,3	3,2
56											9,5	3,2	2,9
58											8,7	3,1	2,7
60												2,9	2,4
62												2,8	2,2
64												2,6	2
66												2,5	
68												2,2	
70												2	
72												1,8	



Mobile 8-axle crane **LIEBHERR LTM 1500-8.1** is the only crane in the world with a lifting capacity of **500 tons** with interchangeable telescopic booms of **50 and 84 meters!**

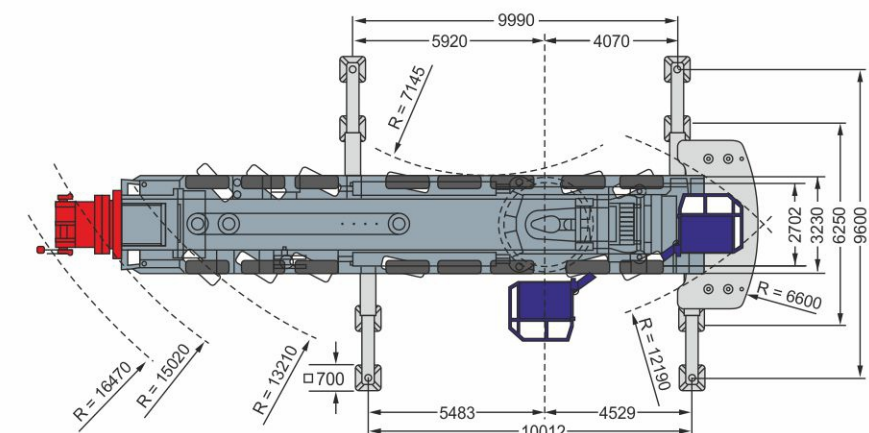
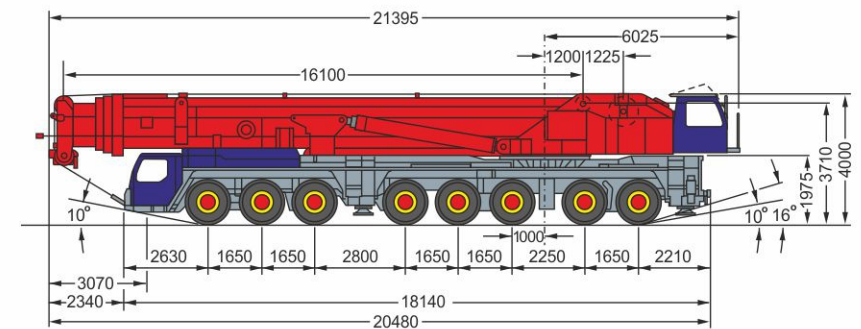
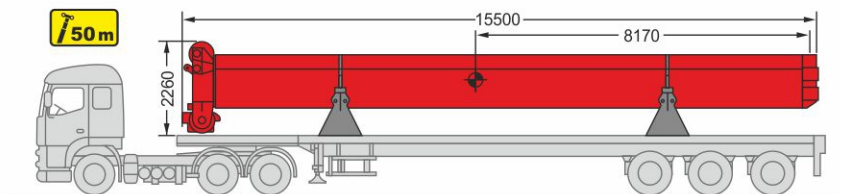
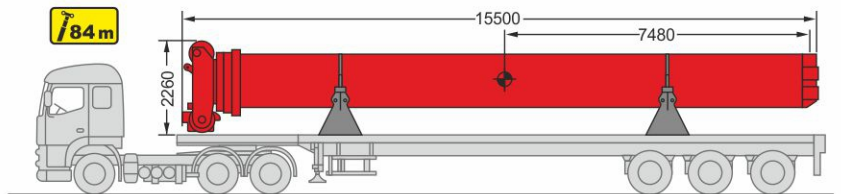
The crane chassis with a wheel arrangement of **16 x 8 x 12 (16 wheels, of which 8 are driven and 12 are steered / steered)** with ground clearance adjustment, makes it very passable and maneuverable.

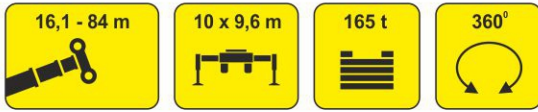
A special hydraulic portal allows you to change and install telescopic booms of **50 m and 84 m** without the help of another crane! Combined with a huge selection of lattice boom systems with each of the telescopic booms, the crane is absolutely versatile!


Telescopic booms of the **LIEBHERR LTM 1500-8.1** crane extend from **16.1 to 50 meters**, as well as from **16.1 to 84 meters**. Controlled by a separate winch and a computerized Y-guy system, the telescopic booms provide additional rigidity, which significantly increases lifting capacity at high inclines and long reach.

The many combinations of lattice extensions make it possible to implement the most complex projects in industrial construction. Any lattice system, as well as a controllable jib up to **91 meters**, can be used with a Y-guy, which significantly increases the load capacity!

Mobile crane **500 tons LIEBHERR LTM 1500** is indispensable in industrial construction and is often in demand for the installation of heavy metal structures, equipment during the construction or reconstruction of various plants, installation of artificial structures of highways, bridge beams and spans.





Lifting capacities																
 16,1	21,3	26,5	31,7	36,9	42,1	47,3	52,5	57,7	62,9	68,1	73,4	78,6	84			
3	500	262														
3,5	400	262	262													
4	325	262	262	248												
4,5	262	261	259	239												
5	261	248	246	229	204											
6	231	221	219	208	198	167										
7	206	198	195	191	190	162	127									
8	186	178	176	172	170	157	123	121								
9	170	162	159	157	154	147	119	117	111							
10	155	147	145	144	140	135	115	113	107	96						
12	128	124	121	121	120	114	108	105	101	91	81					
14	107	105	102	102	103	104	96	96	91	86	77	70	62			
16			88,2	87,8	93	93	86	86	83	79	74	66	59	52	44	
18			76,9	76,4	83	83	82	79	75	73	69	63	57	49,5	42	
20			55,5	66,9	73	74	74	73	70	67	65	59	54	47,5	40,5	
22				59	65	67	67	66	66	61	60	55	52	45,5	38,5	
24				52,5	59	60	60	61	60	57	55	52	49	44	36,5	
26					53	55	54	55	54	53	51	49,5	45,5	42	35	
28					47,5	49,5	49	50	48,5	50	47	46,5	42	40	33,5	
30					36,5	45	44,5	46	44,5	45,5	43	43	39	38,5	32	
32						41	40,5	42	40,5	41,5	39,5	40	36,5	36	30,5	
34						36,5	37	38,5	37	38	36	37	33,5	33,5	29,4	
36							34	35,5	34	35	33	34	30,5	31	28,1	
38								31,5	32,5	31	32	30,5	31,5	28,3	28,7	26,9
40								24,6	30	28,7	29,7	27,8	28,8	26	26,5	25,8
42									27,9	26,4	27,5	25,6	26,6	24	24,6	24,2
44									24,7	24,4	25,4	23,5	24,5	22	22,8	22,5
46									15,2	22,5	23,5	21,7	22,6	20,1	21,1	20,8
48										20,8	21,8	20	20,9	18,4	19,4	19,3
50										16	20,3	18,4	19,4	16,8	17,8	17,9
52											18,9	16,9	17,9	15,4	16,4	16,6
54											16,2	15,6	16,6	14,1	15,1	15,2
56											10,8	14,4	15,3	12,8	13,8	14
58												12,6	14,2	11,7	12,7	12,8
60												9,3	13,1	10,6	11,6	11,8
62													12,1	9,6	10,6	10,8
64													9,7	8,7	9,6	9,8
66														7,8	8,7	8,9
68														5,9	7,9	8,1
70															7	7,3
72															5,9	6,6
74															4,1	5,8
76																5
78																3,8



lucas-crane.com
LIEBHERR

(911) 927-89-00

(911)

АРЕНДА КРАНОВ

АРЕНДА
автокранов и тракторов
+7(911)927-89-00
www.lucas-crane.com
+7(911)927-89-00
А160
ЛУКАС
9-00
АВТОКРАНЫ
и АРЕНДА

А В С

927-89-00



929-99-97
АРЕНДА КРАНОВ
от 25 до 500 тонн

LRT 1100-2.1

LIEBHERR

АРЕНДА КРАНОВ
от 25 до 500 тонн

LIEBHERR

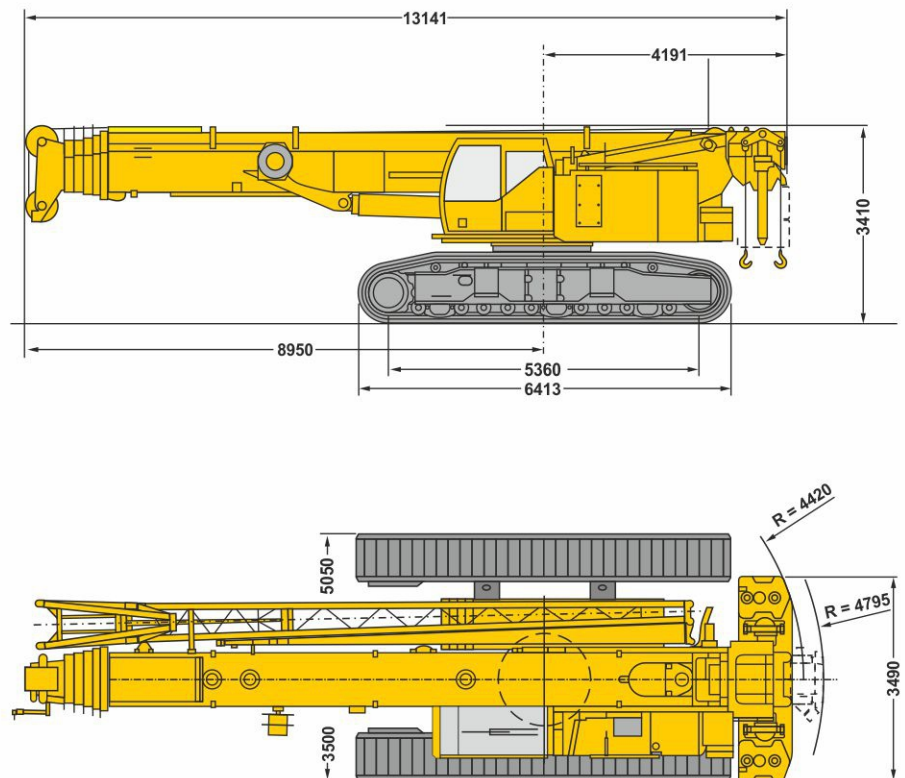


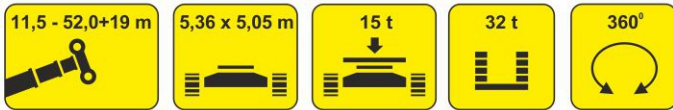
The crawler crane **LIEBHERR LTR 1100** with a lifting capacity of **100 tons** has a **52 meter** boom and a **19 meter** lattice jib. The maximum lift outreach is **83 meters**, the maximum boom outreach is **60 meters**.


The **LIEBHERR LTR 1100** crane successfully combines the advantages of telescopic and crawler cranes.

Compared to conventional lattice boom cranes of the same rated capacity, the **LIEBHERR LTR 1100** offers shorter set-up times, easier transportation and exceptional versatility. In addition, the tracked chassis provides excellent off-road flotation with suspended loads - even in tight jobsite or side slopes.

From the telescopic crane the **LIEBHERR LTR 1100** has inherited a powerful boom that can be extended to any position and extended by means of jibs - in full accordance with your needs.





Lifting capacities														
 m	11,5	15,2	19	22,7	26,4	30,1	33,9	37,6	41,3	45	48,8	52	52+ 10,8	52+ 19
2,5	100													
3	92,7	68,2	57,9	56,7										
3,5	82,1	69,2	66,8	55,3										
4	77,6	70	67,1	53,8	46,9									
4,5	71,8	69,4	64,4	54,2	45,5	38,3								
5	66,6	66,3	61,2	54,4	44,6	39,4	31,7							
6	57,6	57,3	55,6	51,5	44,1	37,9	30,7	25,2	19,9					
7	48,6	48,8	46,8	44,9	41,8	36,3	29,1	24,5	19,4	16,6				
8	39,8	40,7	40,9	38,6	37,5	34,7	27,3	23,3	18,8	16,4	13,2	10,7		
9		34,1	34,4	34,1	33	31,2	25,5	22	18,2	16,1	13	10,6		
10		29,1	29,5	30,2	29,3	27,7	24	20,8	17,5	15,8	12,8	10,4	6	
11		25,3	26,1	26,4	26	24,8	22,5	19,6	16,9	15,2	12,6	10,3	5,8	
12		22,6	23,2	23,3	23	22,4	21,1	18,5	16,2	14,7	12,4	10,1	5,6	3,4
14			18,6	18,7	18,5	18,1	17,9	16,4	14,7	13,6	11,8	9,9	5,3	3,3
16			15,4	15,5	15,2	15,2	15,3	14,6	13,2	12,4	11,2	9,6	5,1	3,2
18				13,1	12,8	13,3	12,9	12,5	11,8	11,3	10,4	9,2	4,8	3,1
20					11,5	11,4	11	10,7	10,7	10,3	9,5	8,5	4,6	3,1
22					10,1	9,9	9,7	9,7	9,3	9,2	8,7	7,9	4,3	3
24						8,7	8,6	8,5	8,4	8,4	8,1	7,3	4,1	2,9
26						7,7	7,8	7,5	7,5	7,4	7,1	6,8	3,9	2,8
28							7	6,7	6,6	6,5	6,2	6,2	3,7	2,7
30							6,2	6,2	6	5,8	5,5	5,4	3,6	2,6
32								5,6	5,3	5,1	4,8	4,8	3,4	2,5
34								5	4,7	4,5	4,2	4,2	3,3	2,4
36									4,2	4	3,7	3,7	3,1	2,3
38									3,8	3,6	3,2	3,2	2,8	2,2
40										3,1	2,8	2,8	2,4	2,1
42										2,8	2,4	2,4	2,1	2,1
44											2,1	2,1	1,7	2
46												1,8	1,4	1,8
48												1,5	1,2	1,5
50													0,9	1,2
52														1

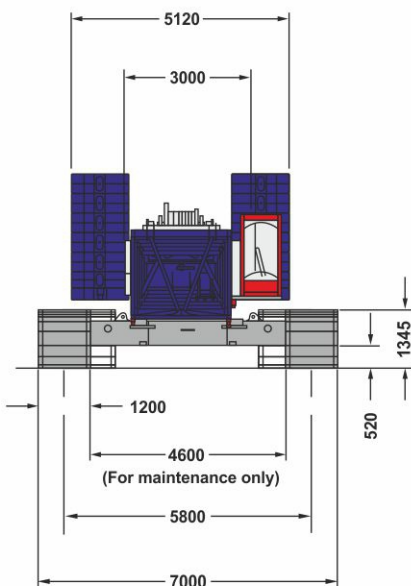
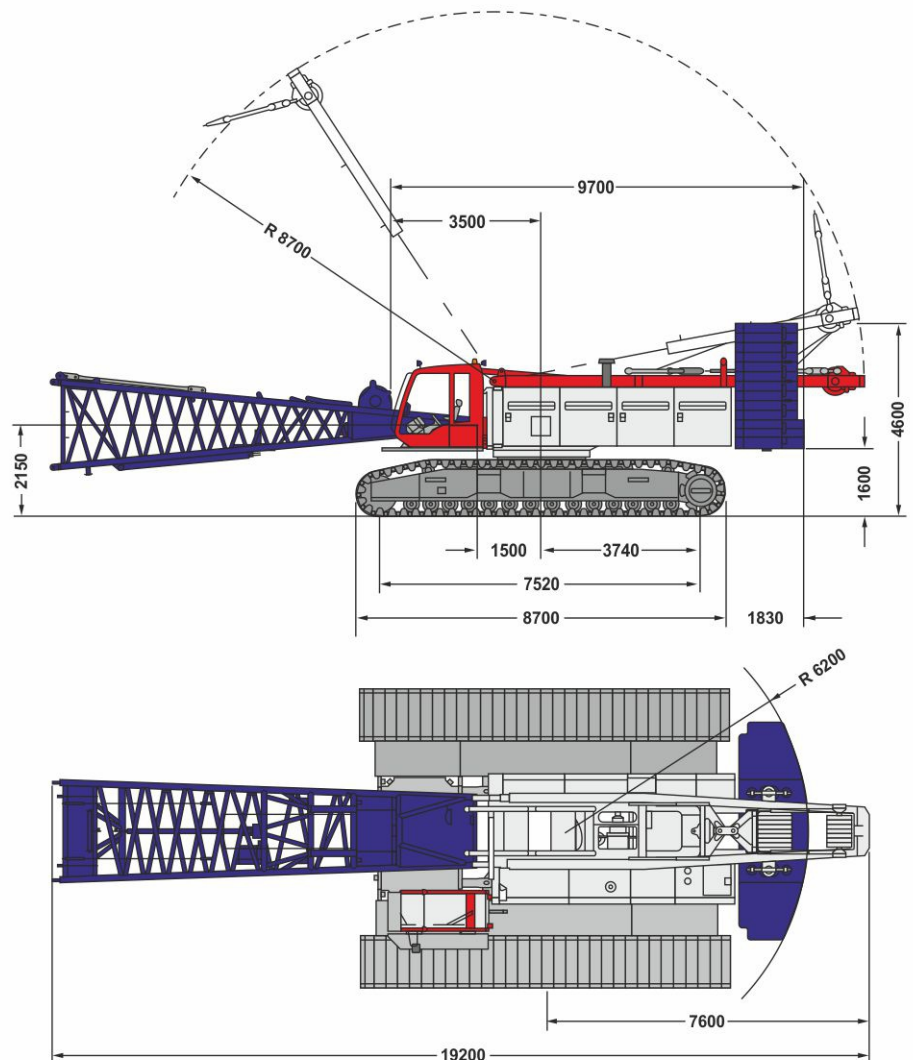


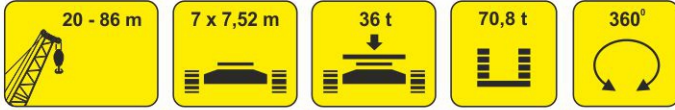
The crawler crane **LIEBHERR LR 1200.1** with a maximum lifting capacity of **220 tons** has a boom length of **86 meters**.


At the heart of the **LIEBHERR LR 1200.1** is an efficient hydraulic system that contributes to tangible fuel savings and at the same time provides a high tractive effort for the winches.

As a result, the crane can quickly lift loads even with multiple rope reloads.

At the same time, the **LIEBHERR LR 1200.1** has a compact design.





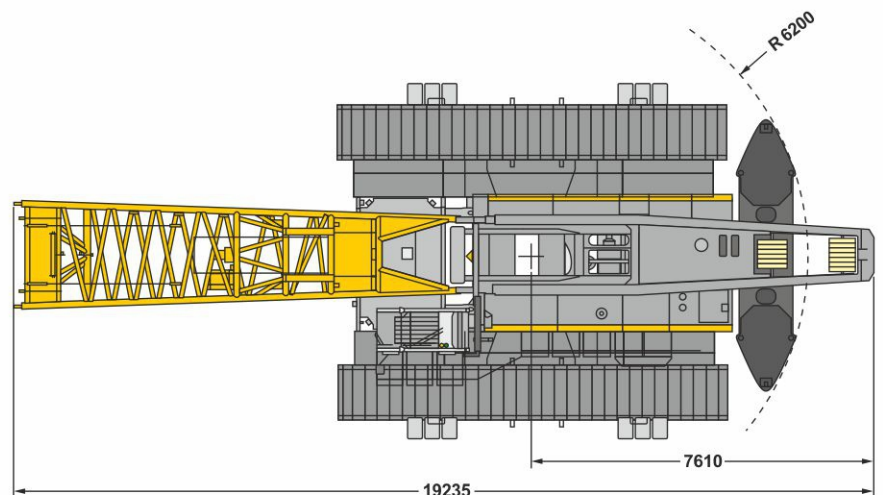
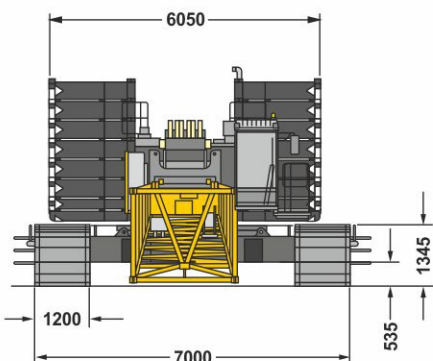
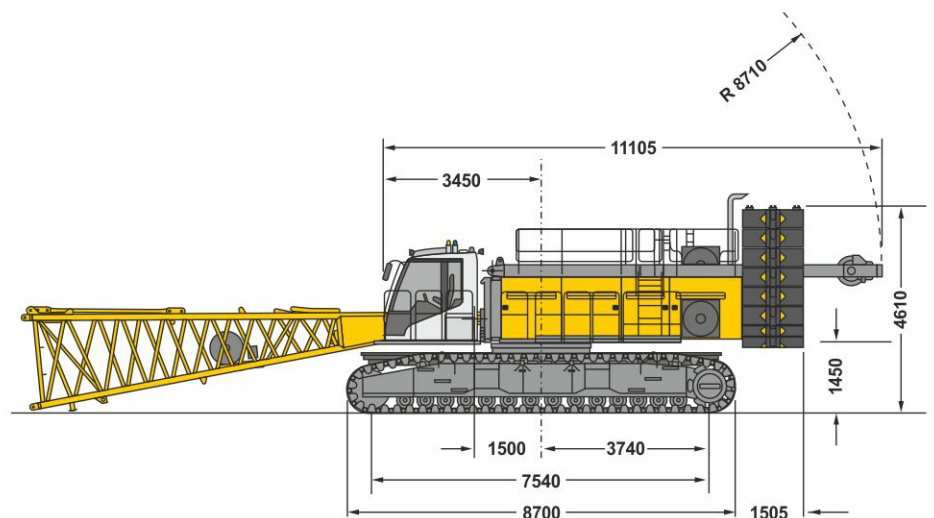
Lifting capacities												
	20	26	32	38	44	50	56	62	68	74	80	86
4,1	220,0											
5	216,5	162,7	153,5									
6	190,7	158,9	150,6	139,9	113,7							
7	150,8	143,7	132,7	123,1	106,8	89,2	79,4	63,5				
8	132,7	122,3	114,7	107,3	99,9	83,2	75,7	62,9	51,7	44,6		
9	111,8	107,5	100,9	94,9	88,0	77,8	71,6	59,8	50,0	44,2	37,0	30,0
10	101,3	95,2	89,9	84,9	80,4	72,6	68,1	57,2	47,9	42,6	36,0	29,8
12	79,3	77,3	73,5	69,9	66,7	63,5	60,6	53,2	43,7	40,1	33,3	27,8
14	63,7	63,8	62,0	59,2	56,6	54,2	51,9	49,6	40,4	37,6	31,2	26,1
16	53,0	53,0	53,0	51,1	49,0	47,0	45,1	43,2	37,9	35,0	29,4	24,4
18	45,1	45,1	45,1	44,8	43,0	41,3	39,7	38,0	33,3	33,5	28,0	23,4
20	38,9	39,1	39,0	38,8	38,2	36,7	35,3	33,8	31,7	31,2	26,4	22,6
26		27,1	27,2	26,9	26,7	26,4	25,9	24,8	23,8	22,7	21,7	19,9
32			20,1	20,0	19,7	19,4	19,1	18,7	18,1	17,2	16,4	15,5
38				15,3	15,1	14,8	14,5	14,1	13,8	13,3	12,5	11,8
44					11,8	11,6	11,3	10,9	10,6	10,2	9,7	9,0
50						9,1	8,8	8,5	8,1	7,7	7,4	6,8
55							7,2	6,8	6,5	6,1	5,8	5,3
60								5,5	5,2	4,8	4,4	4,0
65									4,0	3,6	3,3	2,9
70										2,7	2,3	

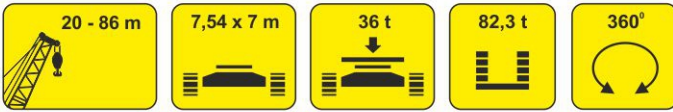



The updated crawler crane **LIEBHERR LR 1250.1** is designed for lifting loads weighing up to **250 tons**. To increase the lifting capacity, the main lattice boom of the crane has been reinforced. Its length is **86 m**.

The crane has a system of self-assembly and self-loading onto the trawl. Thanks to this, **LIEBHERR LR 1250.1** can be quickly put into working position without involving an auxiliary crane.

The **LIEBHERR LR 1250.1** can move and position loads with particularly high precision, even on objects with limited vision. For this, the crane is equipped with an intelligent control system.





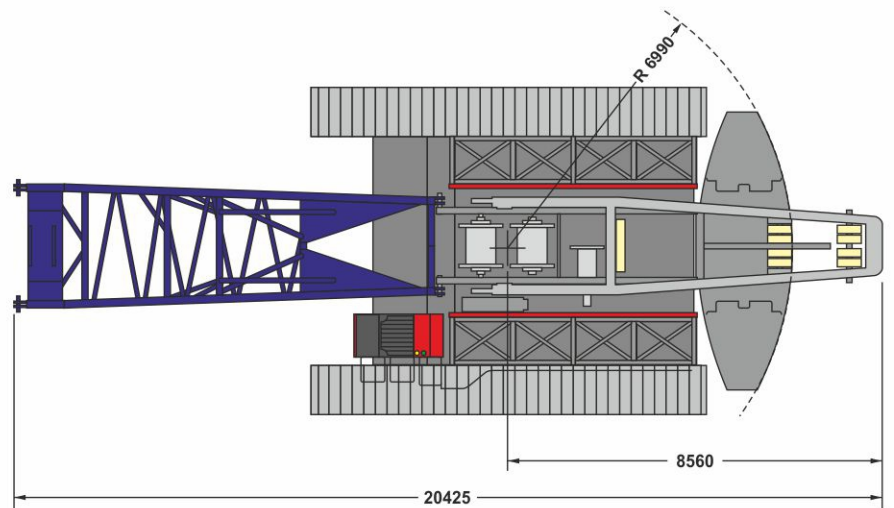
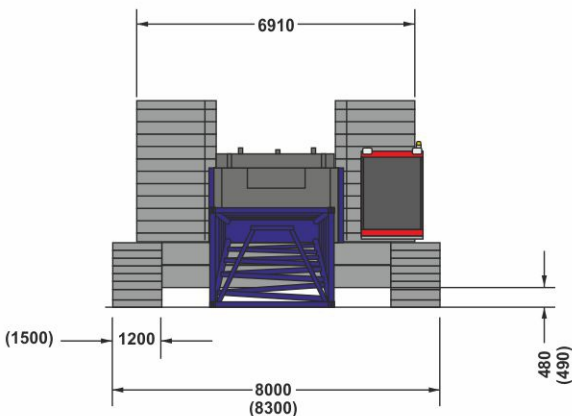
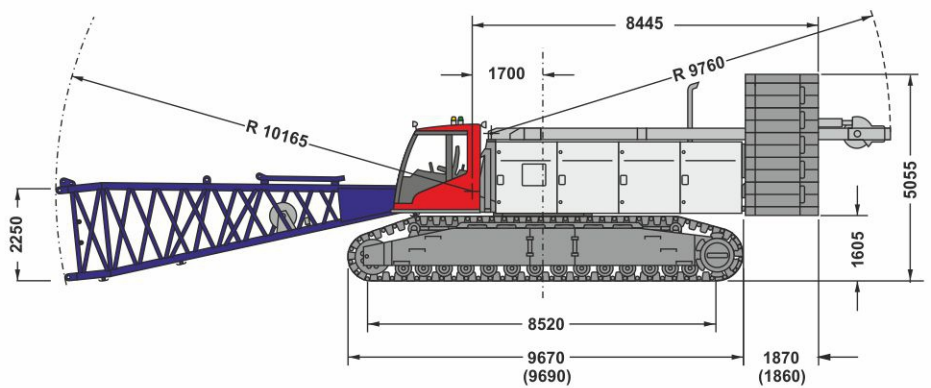
Lifting capacities												
 20	26	32	38	44	50	56	62	68	74	80	86	
4,1	219,1											
5	216,9	199,9	173,7									
6	194,3	180,1	165,5	143,5	122,1							
7	164,9	152,4	149,9	136,5	117,5	101,4	86,4	72,1				
8	138,9	139,3	132,4	124,5	112,6	96,9	83,4	71,5	59,1	49,8		
9	129,7	122,7	115,9	109,6	103,9	93,0	80,4	68,1	57,7	49,5	41,2	34,0
12	87,5	87,5	83,8	80,0	76,6	73,4	70,3	61,3	52,9	45,8	39,6	32,7
18	50,0	50,0	49,9	49,6	49,1	47,3	45,6	43,9	42,3	38,7	34,4	29,2
20	43,3	43,4	43,3	43,0	42,7	41,9	40,4	38,9	37,5	36,1	32,4	28,2
22		38,2	38,1	37,8	37,5	37,1	36,2	34,9	33,6	32,3	30,6	26,9
28			27,4	27,1	26,8	26,4	26,1	25,7	24,9	23,9	22,9	21,9
34				20,5	20,3	19,9	19,5	19,1	18,7	18,2	17,4	16,5
38				17,3	17,1	16,7	16,4	15,9	15,5	15,1	14,7	13,8
40					15,8	15,4	15,0	14,6	14,2	13,8	13,3	12,6
44					13,4	13,1	12,8	12,4	12,0	11,6	11,2	10,6
46						12,1	11,9	11,4	11,0	10,6	10,2	9,7
50						10,4	10,2	9,7	9,3	8,9	8,5	8,0
55							8,3	8,0	7,6	7,1	6,7	6,2
60								6,5	6,1	5,7	5,2	4,8
65									4,8	4,4	4,0	3,5
70										3,3	2,9	2,5
75											2,0	

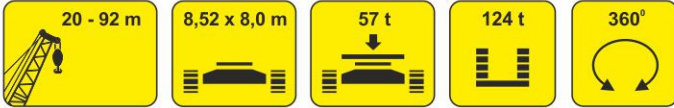


The newest **LIEBHERR LR 1300.1 SX** crawler crane is equipped with a lattice boom with a length of **86 meters**, which has a high lifting capacity. It is designed to lift loads weighing up to **300.5 tons**.

The **LIEBHERR LR 1300.1 SX** crane, when certain conditions are met, can independently move assembled with a boom and counterweight from one installation site to another. It is adapted to move around the construction site with the maximum load.

The **LIEBHERR LR 1300.1 SX** is equipped with innovative operator assistance systems that enhance operational safety.





Lifting capacities																
4,3	20	23	26	32	38	44	50	56	62	68	74	80	83	86	89	92
300,5																
300,5	296,3	299,6														
262,9	260	256,1	245,5	236,5	213,4											
225,5	225,3	222,0	215,8	206,9	198,3	189,3	169,3									
195,9	195,7	195,2	191,1	184,6	178,4	168,6	161,3	151,1	135,3							
172,9	172,8	172,2	171,8	166,0	160,2	154,1	146,1	138,5	131,7	118,7	103,1	95,6	88,9			
155,4	155,2	161,2	156,5	152,3	145,7	139,9	134,5	127,6	120,2	111,8	101,7	95,6	88,9	83,5	78,3	
136,7	136,7	134,7	132,8	127,3	124,0	119,6	113,5	108,4	103,5	97,8	91,8	87,5	83,3	79,3	75,4	
115,5	115,5	115,0	112,8	110,3	106,2	102,8	99,0	94,1	89,0	84,1	81,3	79,4	77,1	75,0	71,7	
99,5	99,5	99,1	98,2	95,6	93,5	89,6	86,2	82,8	78,9	73,9	71,3	69,5	67,5	65,9	63,9	
74,2	74,5	74,4	74,3	73,8	73,2	71,3	68,8	65,4	61,8	59,1	57,4	56,3	54,5	53,3	51,4	
	58,0	58,0	58,0	57,5	57,1	56,5	56,0	54,0	51,0	48,6	46,8	45,8	44,4	43,4	42,2	
		51,9	52,0	51,5	51,1	50,5	50,0	49,3	46,6	44,8	43,0	41,8	40,6	39,5	38,4	
			38,9	38,6	38,2	37,6	37,0	36,4	35,8	35,0	33,5	32,8	31,9	31,0	30,1	
				30,0	29,7	29,1	28,6	27,9	27,3	26,6	25,9	25,3	24,6	24,0	23,3	
					23,6	23,1	22,6	21,9	21,3	20,5	19,9	19,6	19,2	18,6	18,0	
						18,5	18,1	17,4	16,8	16,1	15,4	15,1	14,7	14,4	14,0	
							15,1	14,5	13,9	13,1	12,6	12,2	11,7	11,5	11,0	
								12,1	11,5	10,8	10,2	9,8	9,3	8,9	8,3	
									9,4	8,7	7,9	7,5	6,9	6,6	6,1	
										6,7	5,9	5,5	4,9	4,6	4,1	
											4,1	3,7	3,2	2,9	2,3	
												2,1				



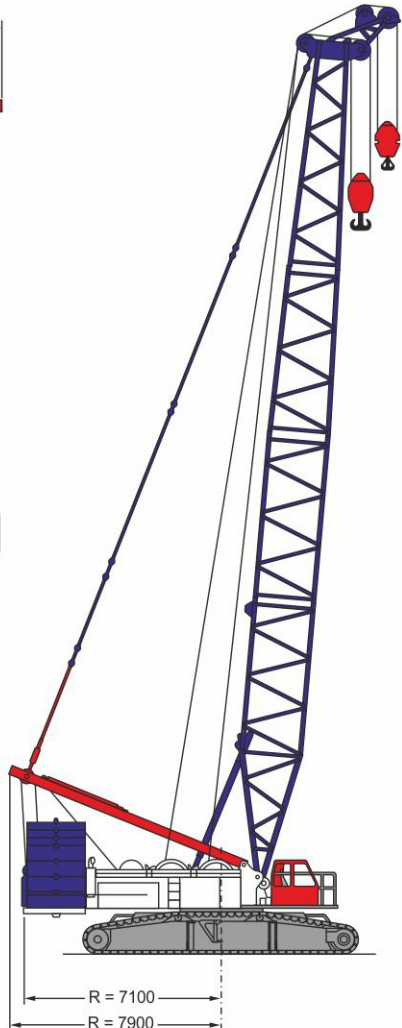
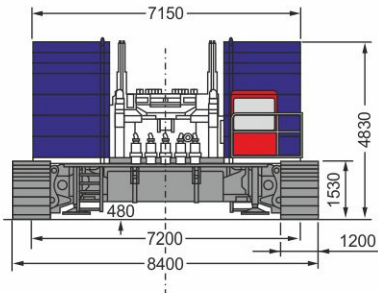
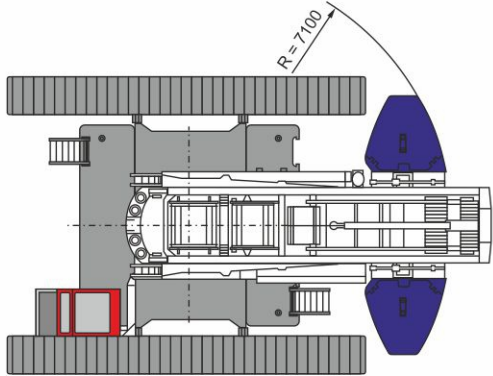
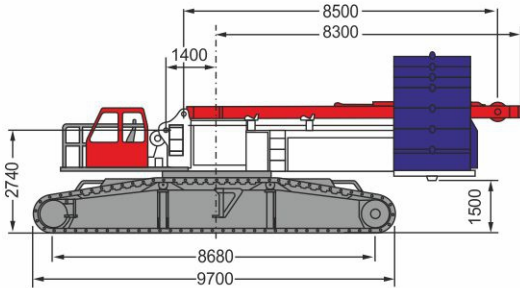
A crawler crane, unlike a wheeled crane, can move with a load, which is extremely important during installation.

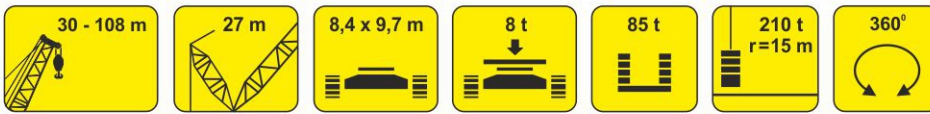
LIEBHERR LR 1350/1 has the most advanced drive system and control systems, as well as light boom systems with high lifting capacity. Transportation and installation of the crane takes a minimum of time and effort.

A huge increase in the **LR 1350's** load capacity is provided by a derrick boom, as well as a suspended counterweight, or a ballast trolley.


The maximum lifting capacity of the crane is **350 tons**, and the highest boom system of the crane is **152 meters**, and the largest working radius (boom reach) of the **LR 1350/1** reaches **110 meters!**

This table shows the **S2DB** boom system; engineers and designers of our company will help you choose other configurations.





Lifting capacities

 30 - 108 m	30	36	42	48	54	60	66	72	78	84	90	96	102	108
6	300													
6,5	300	300												
7	300	300	300											
8	300	300	300	300	283									
9	300	300	300	300	283	245	211							
10	300	300	300	300	281	243	211	182	156					
11	300	300	300	300	279	242	210	181	155	133	115			
12	300	300	300	300	277	241	209	180	155	132	114	97,7	84,8	
14	300	300	298	294	273	238	207	179	153	130	112	97,2	84,1	73,2
16	267	265	264	262	257	233	203	177	151	129	111	96,8	83,5	72,6
18	237	235	234	233	231	226	200	174	149	128	110	96,4	83	72
20	213	211	210	209	207	207	196	171	147	127	109	95,8	82,4	71,5
22	192	192	190	189	188	187	185	167	146	126	109	95,3	81,9	70,9
24	167	175	174	173	171	171	171	165	144	125	108	94,7	81,4	70,5
26	149	162	161	159	158	157	157	155	142	124	107	94	80,8	69,9
28	130	149	148	147	146	146	145	144	140	123	106	93,4	80,3	69,3
30		134	138	137	135	135	134	134	132	120	105	92,8	79,9	68,7
32		119	129	127	126	126	125	125	124	118	105	92,3	79,4	68,2
34		110	121	119	118	118	117	116	115	114	102	91,4	78,8	67,7
36			111	112	111	111	110	109	108	108	101	90,4	77,9	67,2
38			99,6	106	105	104	103	103	102	102	99,1	88,8	76,9	66,8
40				99,8	99	98,3	97,8	97,1	96,2	95,8	94,8	85,5	76,4	66,4
44				84,5	88,9	88,2	87,5	87,1	86,1	85,7	85	82,8	73,8	65,3
48					79,5	79,8	79,2	78,7	77,6	77,3	76,5	75,9	71,4	63,6
52						73	72	71,6	70,5	70,1	69,4	68,8	67,4	61,2
56						63,5	66,1	65,6	64,5	64	63,3	62,7	61,8	59,1
60							61	60,2	59	58,5	57,7	57,5	56,6	55,7
64								55,4	54,3	53,9	53,1	52,7	51,9	51,3
68									50,5	49,8	49	48,4	47,7	47,2
72									46,6	45,9	45	44,8	44,1	43,4
76										42,8	41,9	41,5	40,8	40,1
80											39	38,4	37,5	37,2
84												35,8	34,8	34,4
88												33,3	32,3	31,8
92													30,2	29,5
96														27,4

This table shows the boom system S2DB.
Our company's engineers will help you choose other configurations.

Installation of window blocks «Lakhta center» in St. Petersburg



Maintenance of the sign
«Russian Standard»
in St. Petersburg



Lifting the yacht



Installation of window blocks «Lakhta center» in St. Petersburg

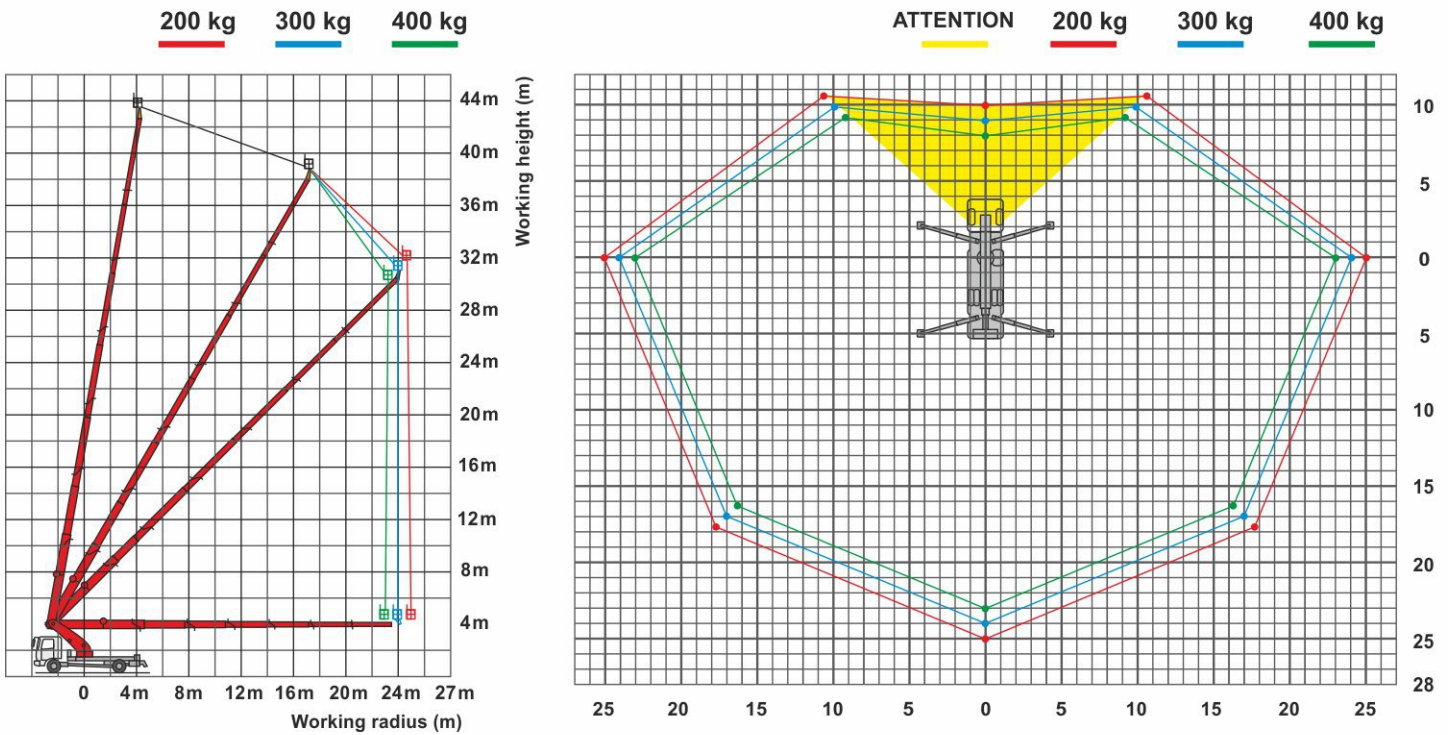




Immersion
of the pipe shunt by
a vibration machine



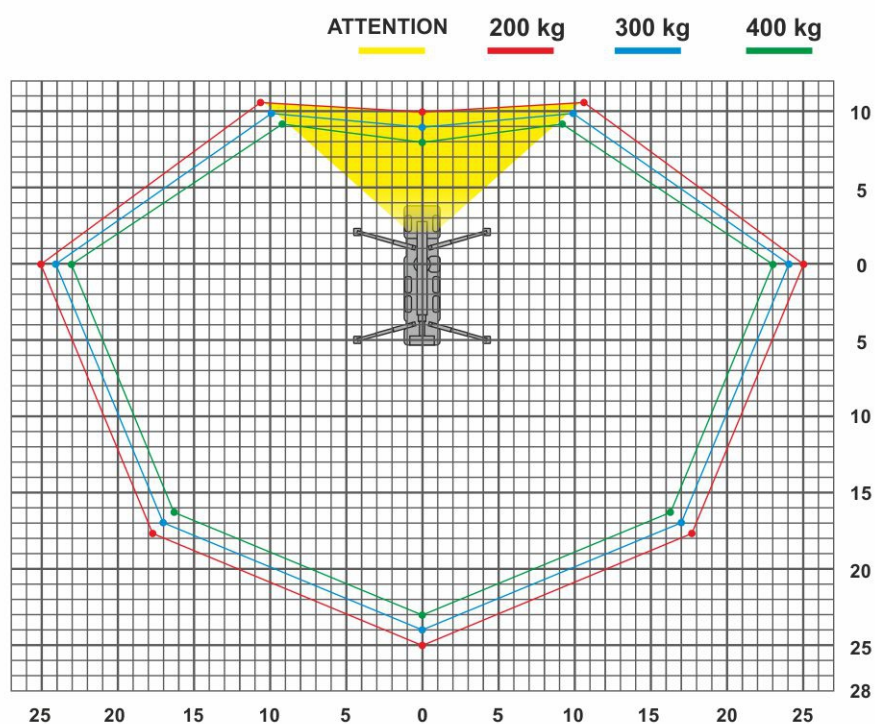
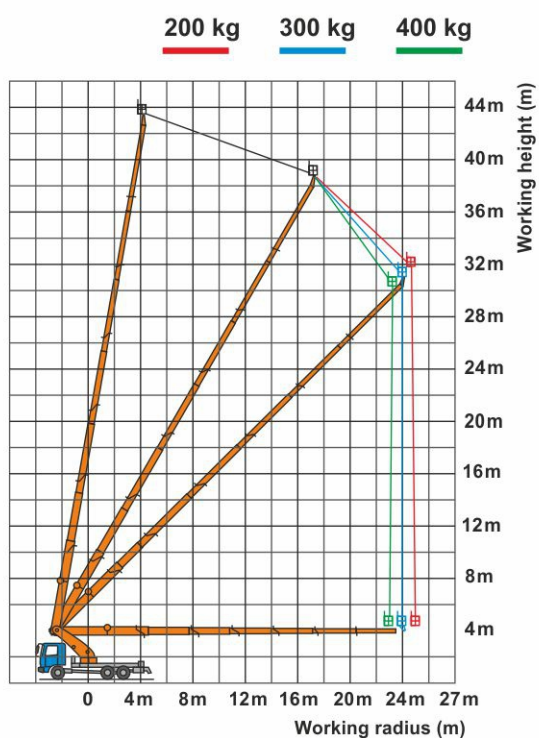
Aerial platform (45 m) Hansin HS450A on ISUZU FORWARD (4x2)



Technical specifications	
Auto-hydraulic elevator	Hansin HS450A
Boom length	45 m
Load capacity	400 kg
The full-revolving cradle	Remote control

Chassis characteristics	
Type	ISUZU FORWARD
Transport dimensions (L x W x H m)	10,37 x 2,50 x 4,00
Wheel formula	4 x 2

Aerial platform (45 m)
Hansin HS450A
on KAMAZ chassis (6x6)



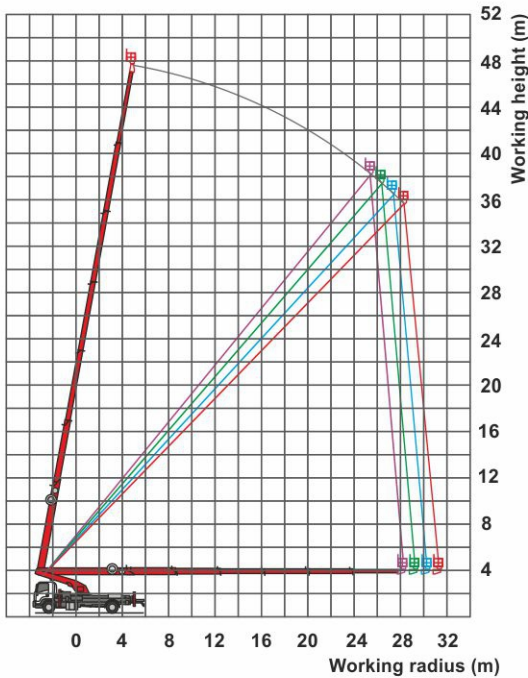
Technical specifications	
Auto-hydraulic elevator	Hansin HS450A
Boom length	45 m
Load capacity	400 kg
The full-revolving cradle	Remote control 220 volt socket

Chassis characteristics	
Type	KAMAZ-43118
Transport dimensions (L x W x H m)	9,65 x 2,45 x 3,92
Wheel formula	6 x 6

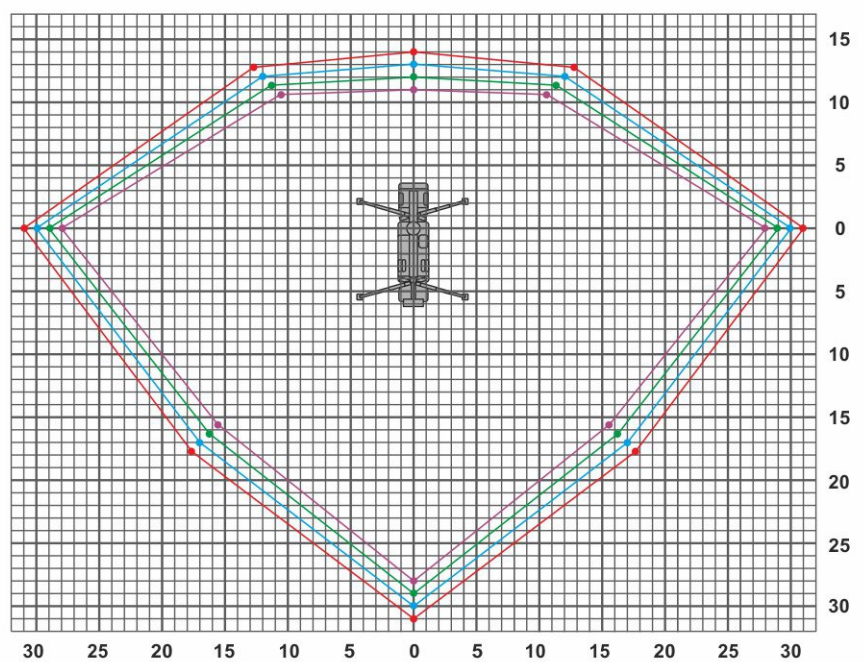
Aerial platform (50 m)
Hansin HS500
on ISUZU FORWARD
chassis (4x2)



100 kg 200 kg 300 kg 400 kg



100 kg 200 kg 300 kg 400 kg

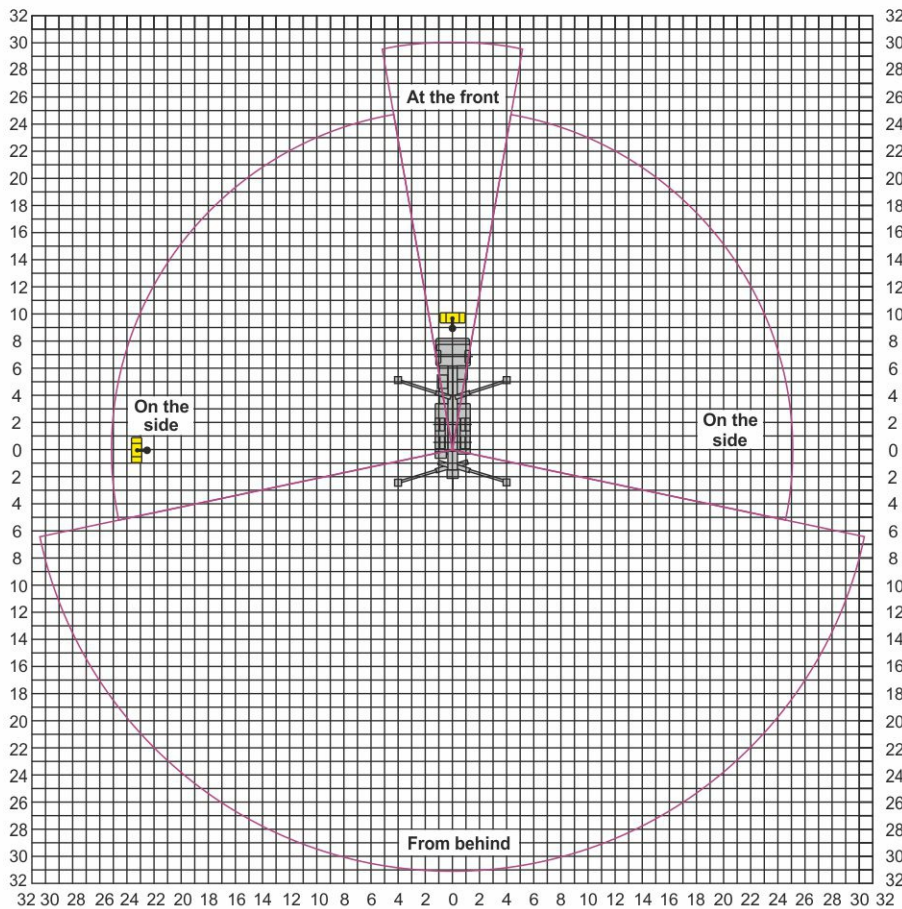


Technical specifications	
Auto-hydraulic elevator	Hansin HS500
Boom length	50 m
Load capacity	400 kg
The full-revolving cradle	Remote control

Chassis characteristics	
Type	ISUZU FORWARD
Transport dimensions (L x W x H m)	10,5 x 2,5 x 3,75
Wheel formula	4 x 2



**Aerial platform (51 m)
HORYONG E-SKY 510KR
on ISUZU GIGA
chassis (6x4)**



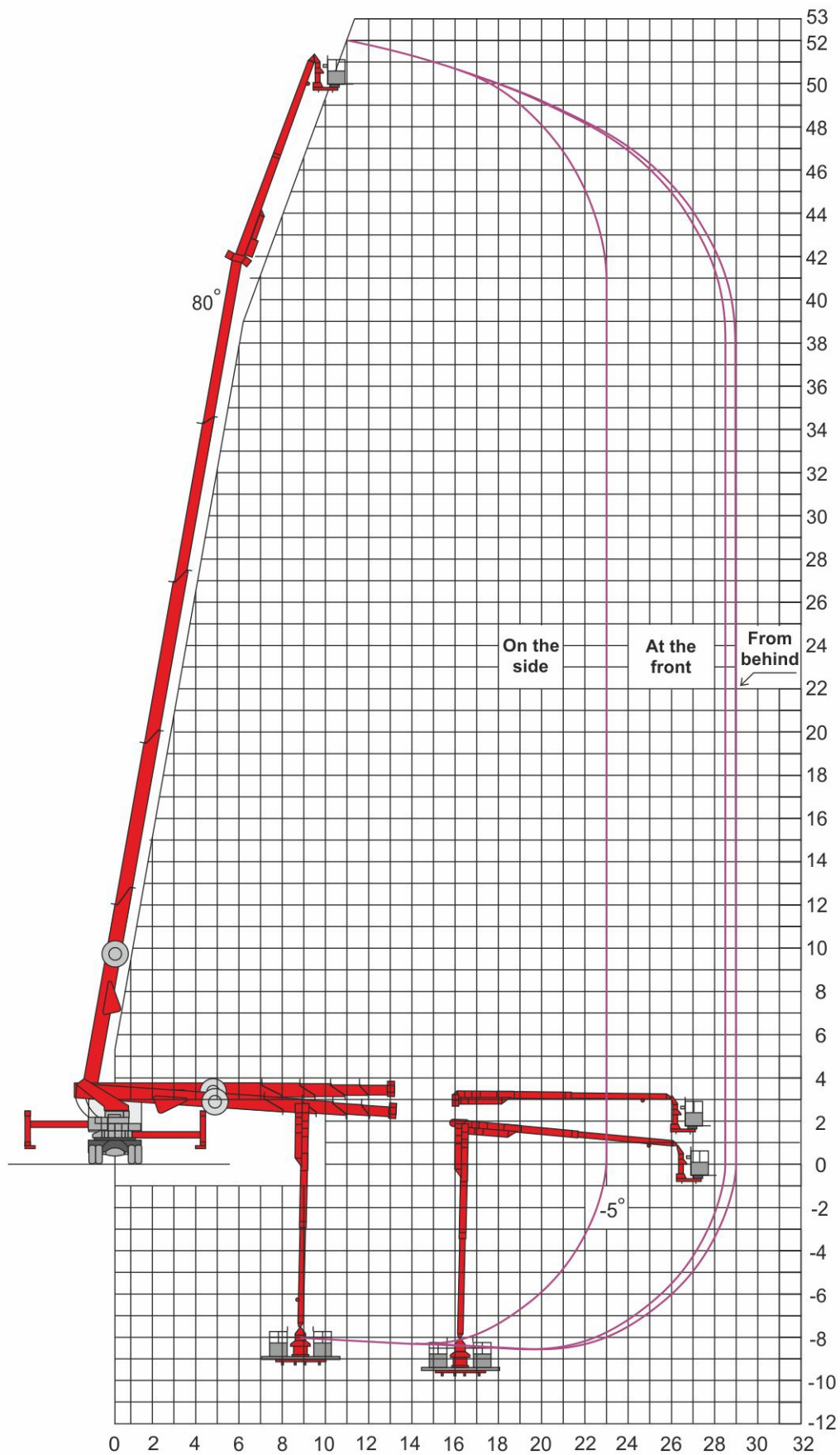
Technical specifications

Auto-hydraulic elevator	HORYONG E-SKY 510KR
Main boom	42 m
Guided boom	9 m
Working height	51 m
Working depth	9 m
Load capacity	550 kg
The full-revolving cradle	Remote control

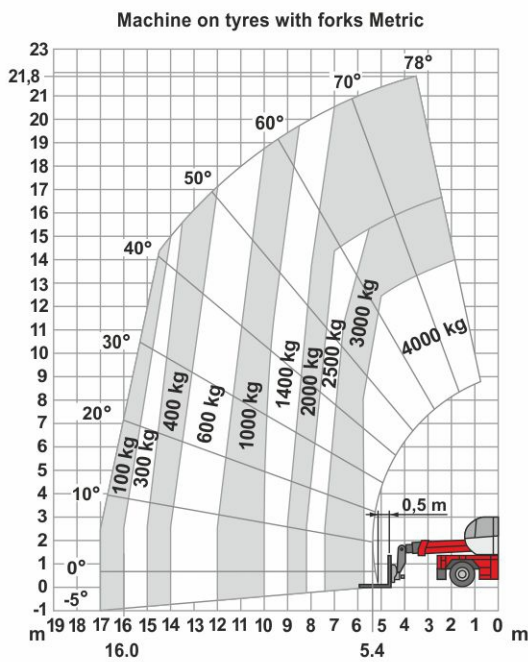
Chassis Characteristics

Type	ISUZU GIGA
Transport dimensions (L x W x H m)	10,78 x 2,49 x 3,55
Wheel formula	6 x 4

Aerial platform HORYONG E-SKY 510KR



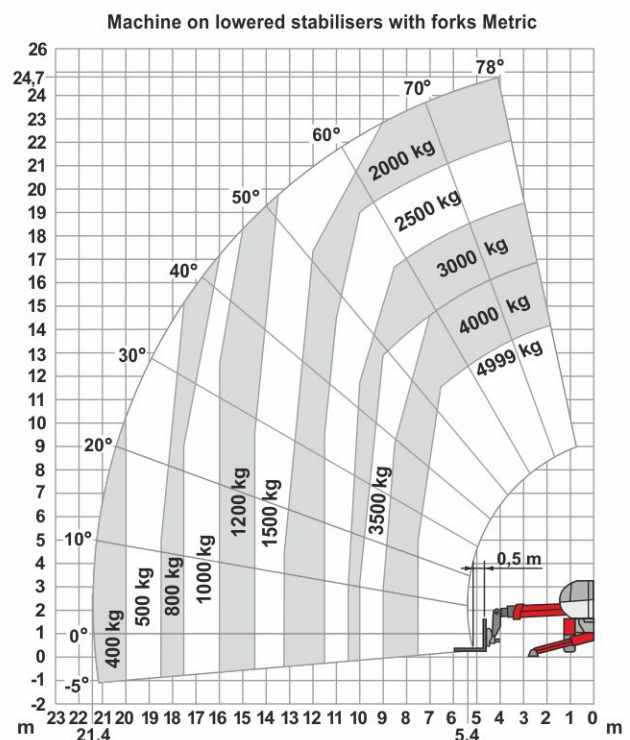
The rotary telescopic loader
MANITOU MRT-X 2550
 Privilege Plus



The rotary telescopic loader **MANITOU MRT-X 2550 Privilege Plus** allows you to work with loads weighing up to **4999 kg** at a height of up to **25 meters**.

The **4-piece boom**, combined with **360°** turret rotation, makes it possible to carry out various operations without wasting time on moving the machine.

The lift has a high cross-country ability. **4 drive wheels** and leveling mechanism make it easy to move over rough terrain.



Technical specifications

Max. capacity (kg)	4999
Max. lifting height (m)	24,70
Max. frontal reach of the boom (m)	21,40
The weight of the load at the maximum frontal reach of the boom (kg)	400
I.C. Engine power rating Mercedes-Benz OM 904 LA (Hp)	150

The rotary telescopic loader
MANITOU MRT-X 2550
Privilege Plus



Crane-manipulator (CMU)
 HIAB 190TM-6
 on KAMAZ - 65117
 chassis
 (6X4)



The crane-manipulator (CMU) HIAB 190TM-6 based on the onboard KAMAZ-65117-N3 has a lifting height of 20.6 m (on the hook) and an outreach of 19.47 m. The maximum lifting capacity is 8 tons.

CMU HIAB 190TM-6 is one of the best units in its class. This is a Swedish development made in South Korea.

It is mounted on an onboard KAMAZ-65117-N3 with an American Cummins engine and a German ZF gearbox. The car has increased power and reliability.

KAMAZ-65117-N3 has a differential lock and has good cross-country ability and maneuverability.

The size of the KAMAZ cargo platform is 6.8 x 2.5 x 1.35 m.

The crane-manipulator HIAB 190TM-6 based on the airborne KAMAZ-65117-N3 proved to be excellent in the work on the movement and delivery of building materials.

The truck loader crane is very compact and for this reason it is indispensable when working in confined spaces.

Basic specifications crane-manipulator
 (CMU) HIAB 190TM-6

Maximum lifting capacity	8 t
Lifting height (on the hook)	20,6 m
Maximum radius	19,47 m

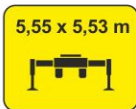
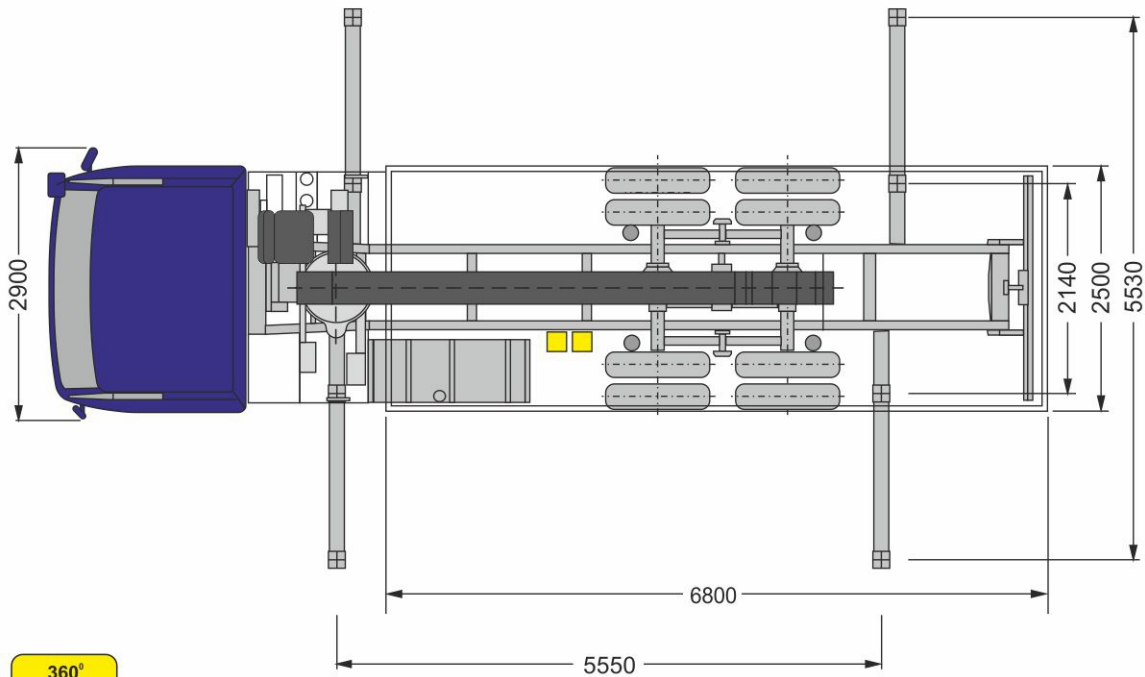
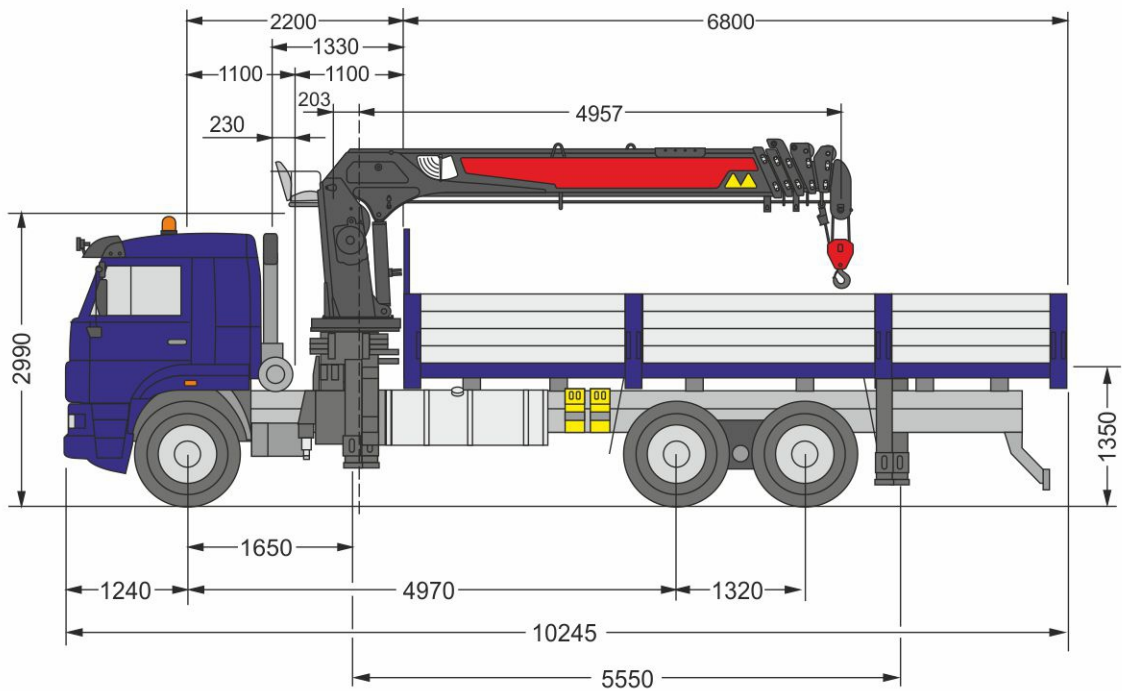
Technical specifications KAMAZ - 65117

Type	KAMAZ - 65117
Load capacity	12 t
Total number of axes	3
Chassis wheel formula	6 x 4

Dimensions of the cargo platform KAMAZ - 65117

Length	6,8 m
Width	2,50 m
Loading height	1,35 m

Crane-manipulator (CMU) HIAB 190TM-6 on KAMAZ - 65117 chassis (6X4)

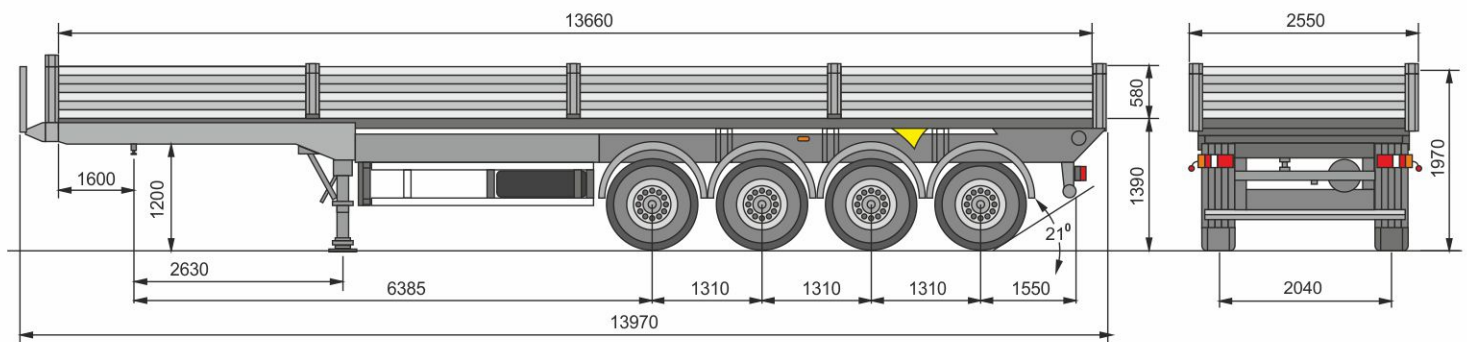


Load capacity table crane-manipulator (CMU) HIAB 190TM-6 on KAMAZ - 65117 chassis (6X4)

Radius (m)	0,75	1,62	2,44	3,81	4,94	6,02	6,83	7,79	8,24	9,33	10,63	12,46	12,67	14,34	15,57	16,84	18,28	19,17	19,47
Load capacity (t)	8	8	6,32	4,61	3,5	2,54	2,26	1,85	1,75	1,54	1,24	0,92	1,01	0,88	0,77	0,7	0,61	0,52	0,44

Scow-heavy truck Volvo FM 440 (6x4)

Carrying capacity:
45 tons



Specifications

Model	Volvo FM 440
Carrying capacity	45 000 kg
Total number of axles	7
Wheel formula of the Volvo FM 440 tractor	6 x 4

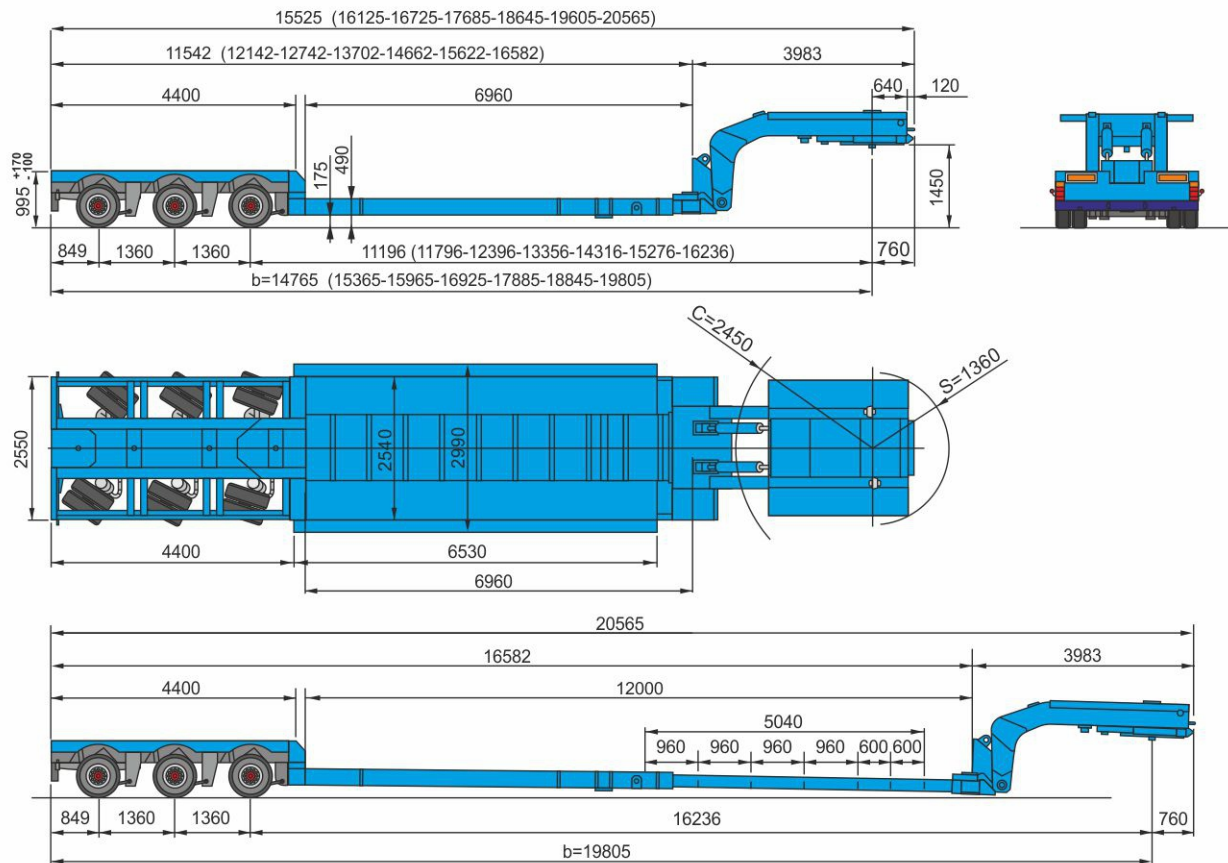
Cargo platform dimensions

Length	13,7 m
Width	2,55 m
Loading height	1,5 m

The scow-heavy truck has a dependent air suspension with height adjustment. The first and second lifting axles: automatic hanging depending on the load.

Loading on the scow is carried out lateral, top, or with the opening of the board. The sides of the scow are equipped with reliable fasteners, which ensure reliable fixation of special equipment of any shape.

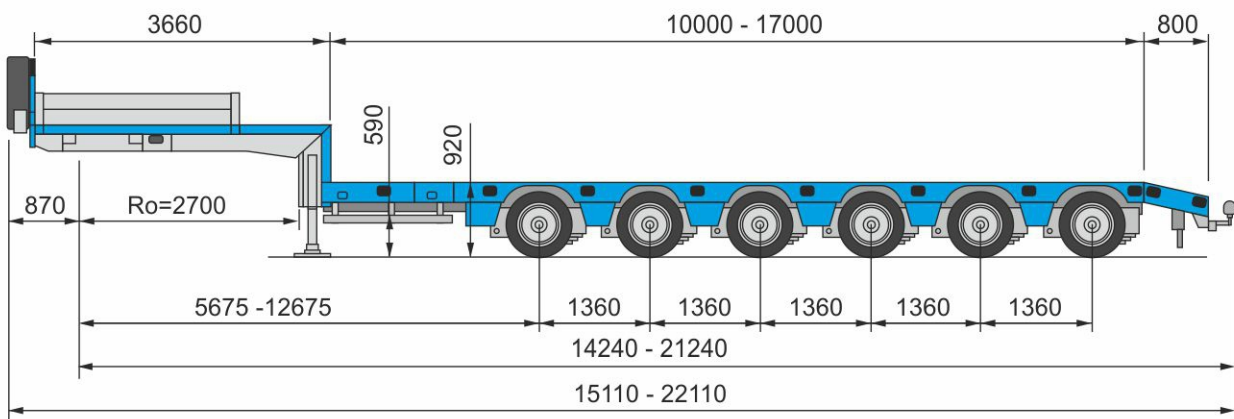
With its help, it is possible to transfer construction and road special equipment (bulldozers, rollers, tower cranes, drilling rigs, combines), various equipment, tanks of different sizes, pipes, containers, metal and reinforced concrete structures, building materials on pallets, etc.



Specifications	
Truck model	Volvo FM 480 6x6 Tornado
Model and type of semi-trailer	COMETTO ZS3AH/2550
Carrying capacity	50 000 kg
Total number of axles	3
Wheel formula of the Volvo truck	6 x 6

Cargo platform dimensions	
Length of platform	11542 mm (16582 mm)
Length of semi-trailer	15525 mm (20565 mm)
Width	2540 mm (2990 mm)
Loading height	460 mm

The trawl **COMETTO ZS3AH/2550** (semi-trailer heavy truck with a sliding platform) has a lifting capacity of **50 tons**.



Specifications	
Truck model	Volvo FM 480 6x6 Tornado
Carrying capacity	80 000 kg
Total number of axles	6
Wheel formula of the Volvo truck	6 x 6

Cargo platform dimensions	
Length	10.0 m (17.0 m)
Width	2.5 m (2.96 m)
Loading height	0.9 m

The trawl (semi-trailer heavy truck with a sliding platform) has a carrying capacity of **80 tons**, and when fully extended, its carrying capacity is reduced to **40 tons**. Its own weight is **19.8 tons**, while the low-loader trawl can move at a speed of up to **80 km / h**. This trawl is coupled with all-wheel drive tractors **Volvo FM 480 6x6 Tornado**.

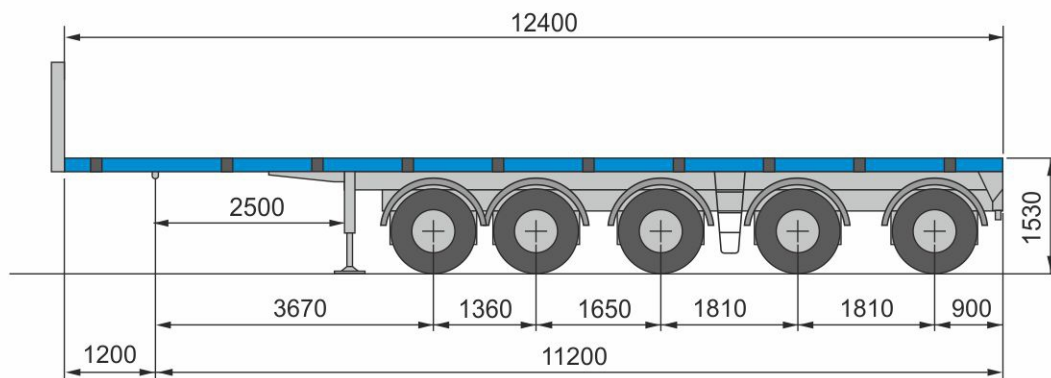
The dimensions of the semitrailer may vary. The length of the platform can be increased by **7 meters**, with a step-by-step extension (**step 1 m**). The width of the loading platform is **2.5 m**, it is possible to increase with the help of extenders up to **3 m**.

The semi-trailer-heavy truck has a pneumatic suspension, adjustable in height, **6 axles** (three of them are swivel), sliding mechanical ladders measuring **2.34 x 0.7 m**.

The low-frame trawl is designed for oversized transportation of various equipment (special equipment, combines, drilling rigs, asphalt pavers, bulldozers, excavators, rollers) and cargo of large weights and sizes (pipes, equipment, tanks, containers).

Carrying out oversized transportations often requires the availability of lifting equipment for loading and unloading. With us you can rent not only a low-loader heavy-duty semi-trailer with a sliding platform, but also mobile truck cranes from **25 to 200 and 400 tons**.

The company's managers will promptly calculate the cost, agree on the route and receive all the necessary permits. For oversized transportation with a cargo width of more than **3.5 meters**, our company provides a cover car with flashing beacons.



Specifications	
Truck model	Volvo FMX 480 6x6 Tornado
Carrying capacity	80 000 kg
Total number of axles	5
Wheel formula of the Volvo truck	6 x 6

Cargo platform dimensions	
Length	12.5 m
Width	2.5 m
Loading height	1.5 m

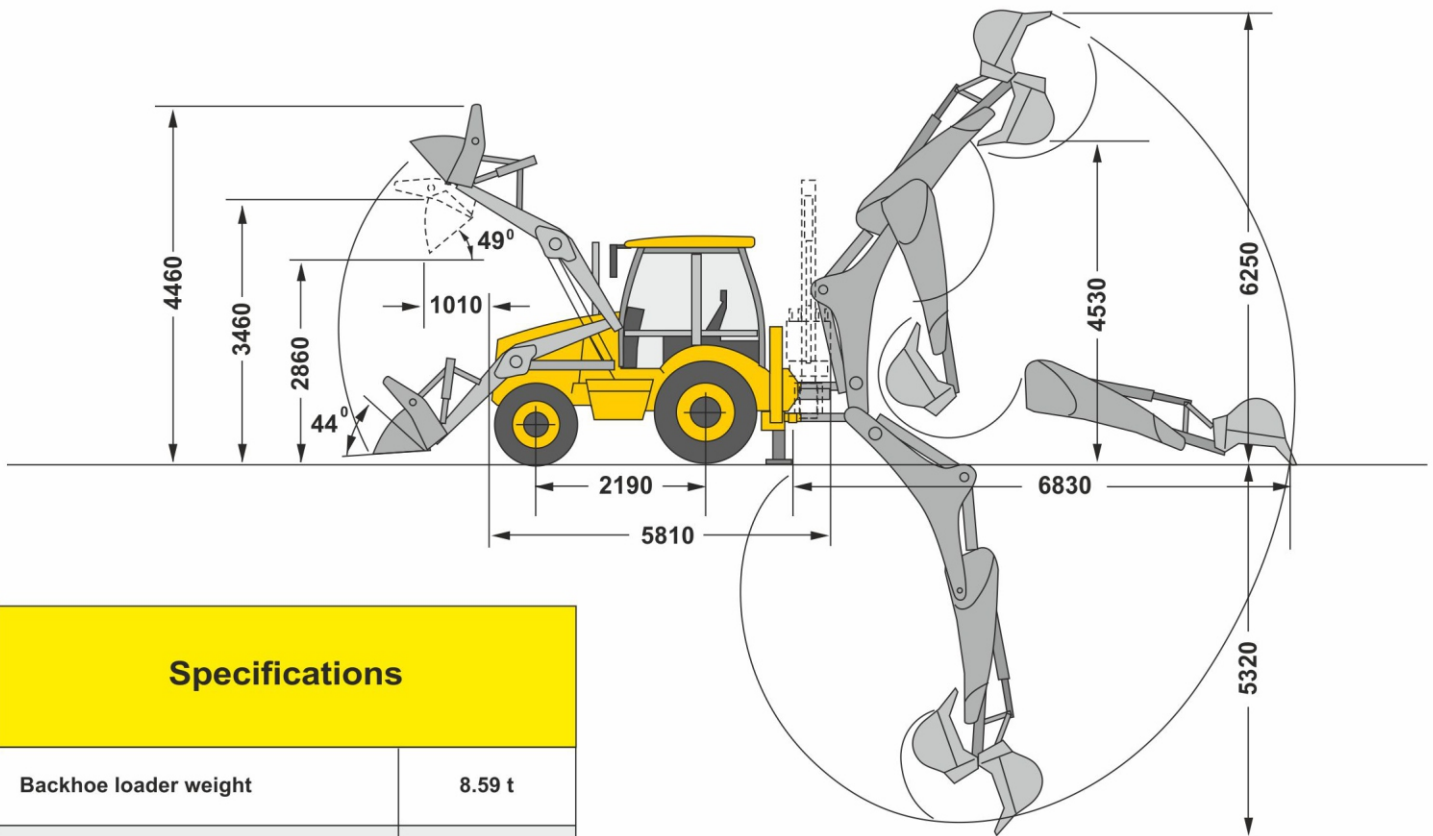
The **MAX TRAILER MAX410** with a lifting capacity of **80 tons** is a platform **12.5 m** long, **2.55 m** wide and **1.55 m** high.

The five-axle chassis of the trawl has an autonomous hydraulic control, in which the axles are steered both in automatic mode and with the help of portable control panels, which gives the trawl tremendous maneuverability!

The trawl has an increased cross-country ability, thanks to wheels of a large radius **R 22.5** and high ground clearance.

Also, our company uses a trawl coupled with an all-wheel drive tractor **Volvo FMX 480 6x6 Tornado** with a **500 hp** engine with, which makes it indispensable in off-road conditions, snowy winters and unpaved construction sites.

The trawl is ideal for transporting heavy equipment, machine tools, tanks, transformers, reinforced concrete products, counter-loads, and various heavy products. Around the perimeter of the trawl there are many loops for securing cargo.

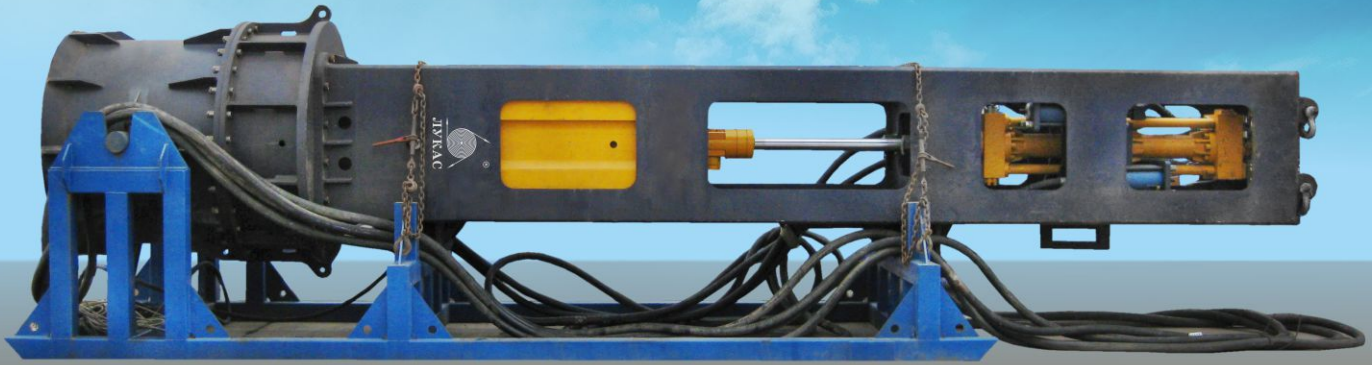


Specifications

Backhoe loader weight	8.59 t
Bucket capacity, backhoe	0.08-0.31 m ³
Cutting depth according to SAE	5,370 mm
Bucket digging force	59 kN
Bucket capacity, loader	1,3 m ³
Carrying capacity	3.152 t
Engine	67/90 kW / hp

Reliability of operation, power, performance of the backhoe, as well as the simplicity, functionality and comfort of the operator's workplace distinguish the Volvo wheel excavator-loader among similar special equipment. With the qualities and versatility of the **Volvo BL71B** backhoe loader, work is always efficient, responsive and safe.

The **Volvo BL71B** backhoe loader belongs to a separate **Volvo Construction series**. The peculiarity lies in the fact that this technique combines the capabilities of a powerful front loader, as well as a wheeled excavator. **Volvo BL71B** is equipped with modern systems, also has a comfortable cab and stylish design. These are all key features of **Volvo's** new generation of versatile construction machines.

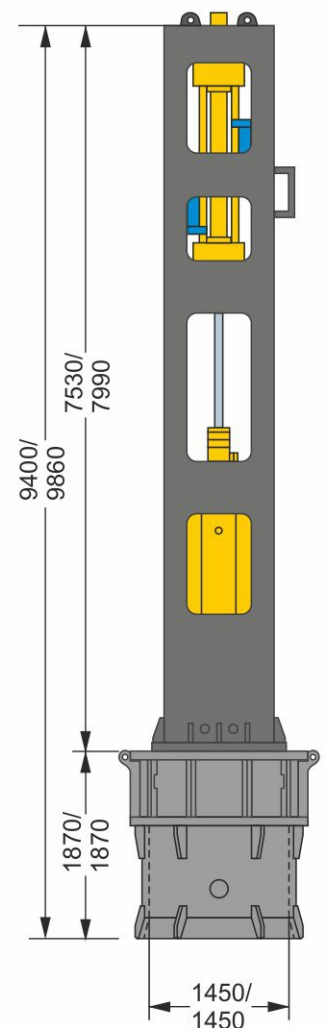
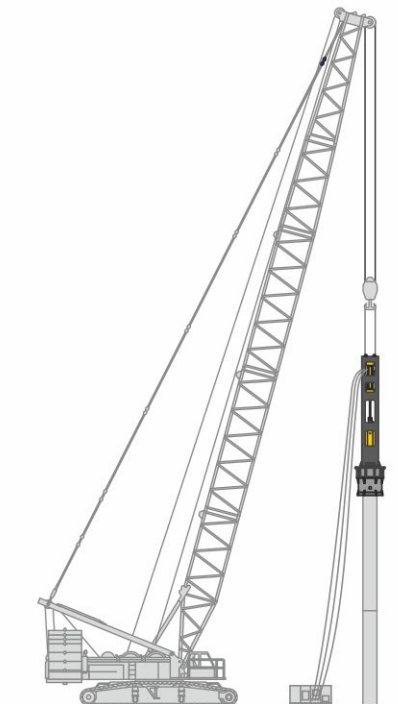


The **YC-21 / 25** hydraulic impact hammer is simple and reliable. It is widely used in most piling and foundation works. **YC-21 / 25** drives concrete piles, steel sheet piles, casing pipes. Moreover, pipes can be round, square, hexagonal, etc.

Hydraulic hammer **YC-21 / 25** is mainly used with crawler cranes. Fast assembly with the station allows you to quickly move the hammer around the facility.

Adjustable impact energy up to **315 / 375 kJ** and the ability to work around the clock - gives a very high performance when driving piles! **YC-21 / 25** is a popular pile hammer used in the construction of casing foundation, large scale concrete pile sea bridge or ferry pier.

The hammer is suitable for work both on land and at sea.



Technical characteristics of the hammer

Weight of the impact part	21 / 25 t
Maximum impact energy	315 / 375 kJ
Working stroke	0 - 1500 / 0 - 1500 mm
Impact frequency at maximum impact energy	30 - 90 / 28 - 95 beats / minute
Hammer weight without top	31 / 36 t
The method of lifting the impact part	Double hydraulic cylinder Double hydraulic cylinder
Overall dimensions of the hammer (L x W x H)	7530 x 1340 x 1450 mm 7990 x 1340 x 1450 mm

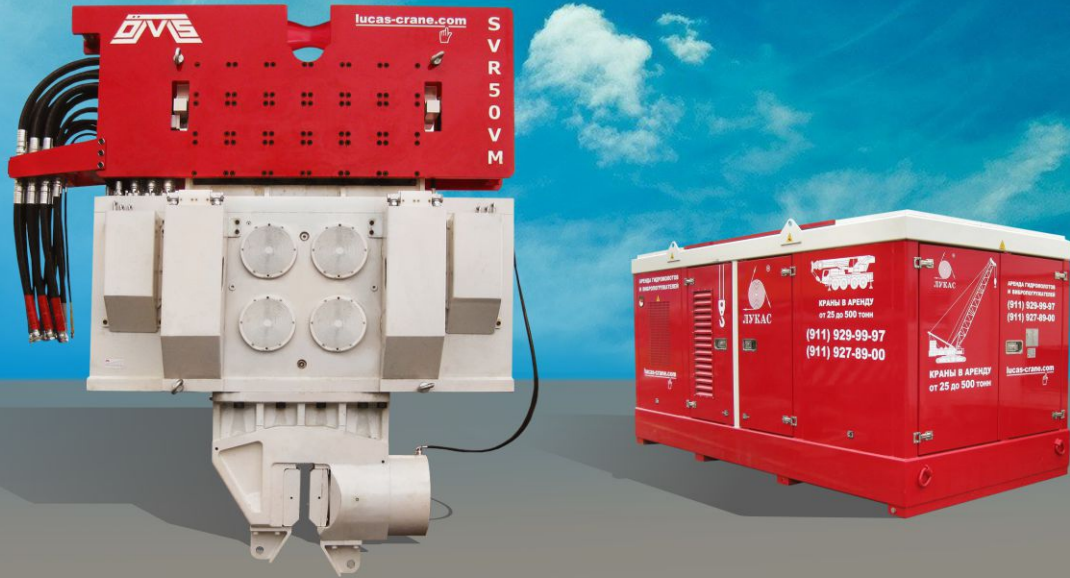
Technical dimensions of the hydraulic station

Station Model	600P / 600P
Power of the station engine	600 / 600 hp
Engine Model	CAT C15 / CAT C15
Fuel tank capacity	600 / 600 L
Working fluid flow	760 / 760 L/minute
Hydraulic system pressure	26 / 26 mPa
Hydraulic tank capacity	2000 / 2000 L
Station weight	8 / 8 t
Overall dimensions of the station (L x W x H)	4370 x 1830 x 2400 mm/ 4370 x 1830 x 2400 mm

Technical characteristics of the upper part. Sheet pile pipe pile Ø1420 mm.

Inner diameter	1450 / 1450 mm
Height with damper	1870 / 1870 mm
Top weight	8500 / 10000 kg

Vibration machine SVR 50 VM



Vibrator **SVR 50 VM** with variable torque (phase regulator) will significantly speed up construction work.

It adjusts the position of eccentric masses during starting and stopping of the vibrator housing (gearbox) and does not create resonance. The body of the **SVR 50 VM** vibrator generates vibrations at maximum frequency and thus reduces the impact on the surrounding soil layers.

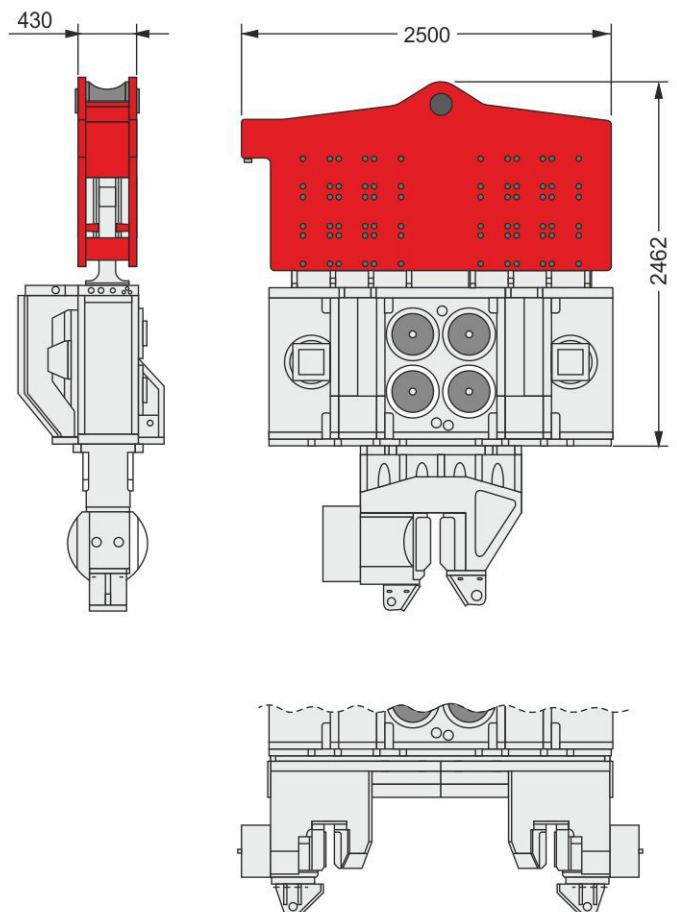
Powerful, high performance and durable, the vibratory hammer can be used for a variety of soil types and depths. Manufactured with the latest technology, the **SVR 50 VM** vibrator saves time and money.

SVR 50 VM (Vibration machine)	
Eccentric Moment	0-50 kgm
Frequency	2300 revolutions / minute
Centrifugal Force Max.	2923 kN
Amplitude	16 mm
Maximum extraction force	1060 kN
Total Weight W/O Clamp	9400 kg
Oil consumption	1380 L / minute
Power	805 kW

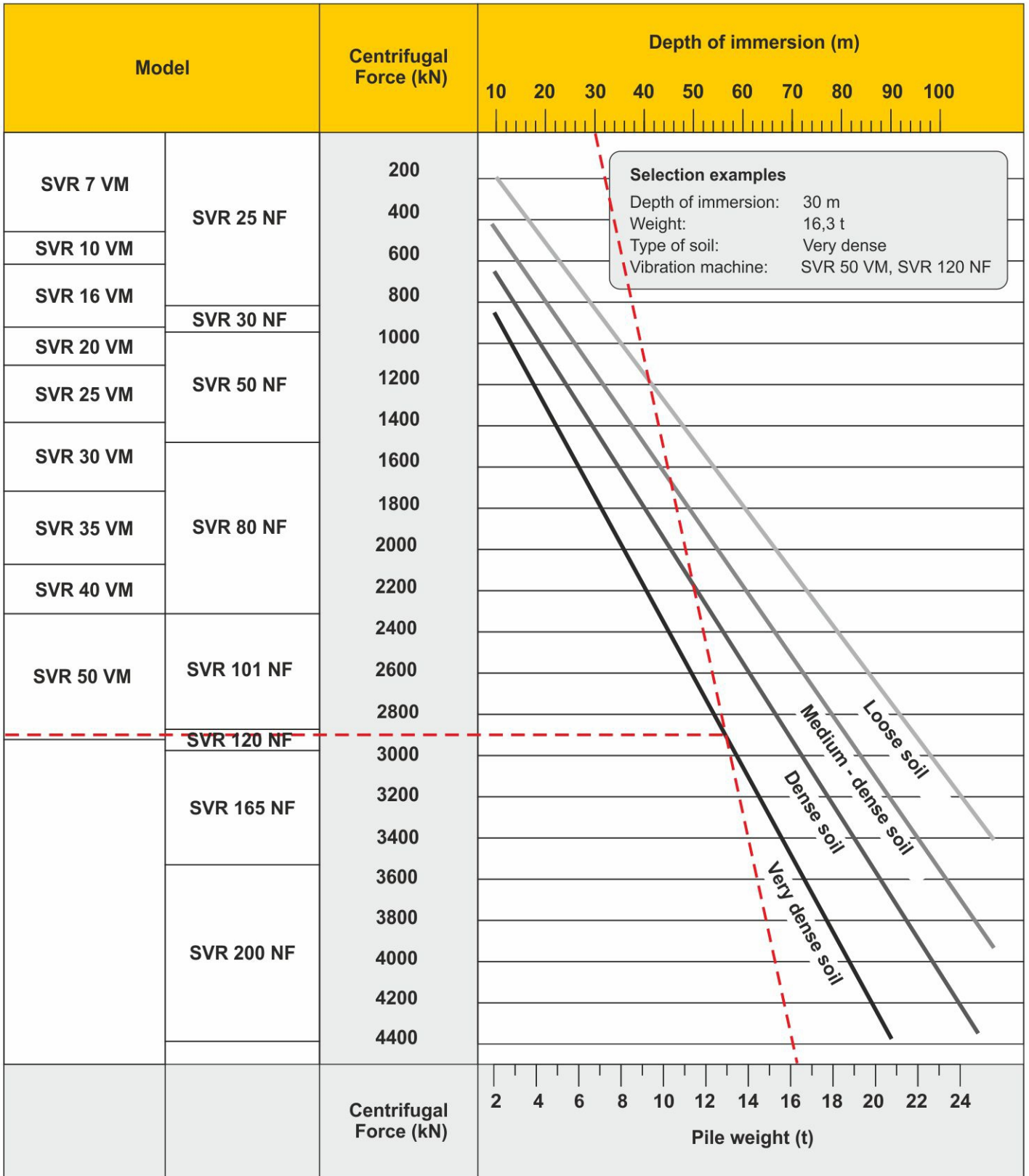
KCN 185x2 (Hydraulic clamp for pipe)	
Pipe diameter	520-1700 mm
Clamping Force	1865 x 2 kN
Weight	1172 x 2 kg
I-beam	280 x 2 kg
Working Pressure	320 bar

SCN 350 (Hydraulic clamp for sheet pile)	
Clamping Force	3560 kN
Weight	2530 kg

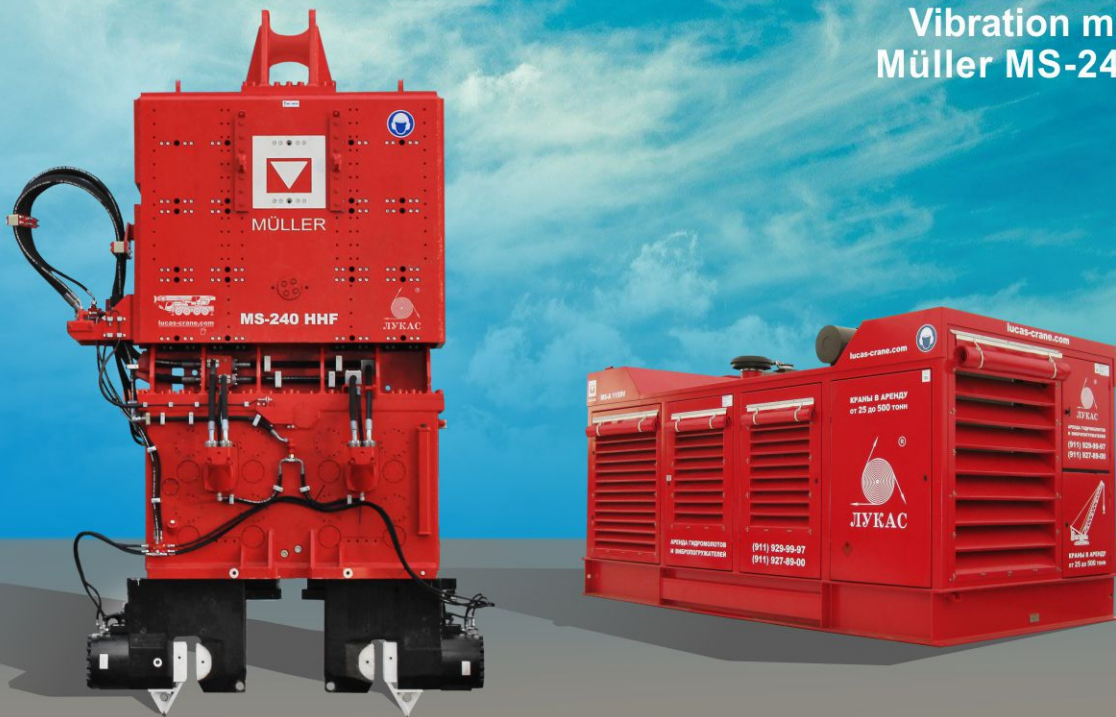
PP 1536-V (Diesel-hydraulic power pack)	
Engine Model Volvo Penta Tier 2	1130 kW / 1536 hp
Working fluid flow	1860 L / minute
Working Pressure	350 bar
Fuel tank capacity	1100 L
Hydraulic tank capacity	2000 L
Total weight (taking into account hydraulic oil)	12900 kg



Vibration machine SVR 50 VM



Vibration machine Müller MS-240 HHF



The **Müller MS-240 HHF High Frequency Hydraulic Vibrator** is the world's most powerful crane-class suspended vibrator!

At the same time, vibrators from Müller, a German manufacturing concern Thyssenkrupp, have long established themselves as high-tech leaders in performance and reliability in any climatic conditions of the Russian Federation!

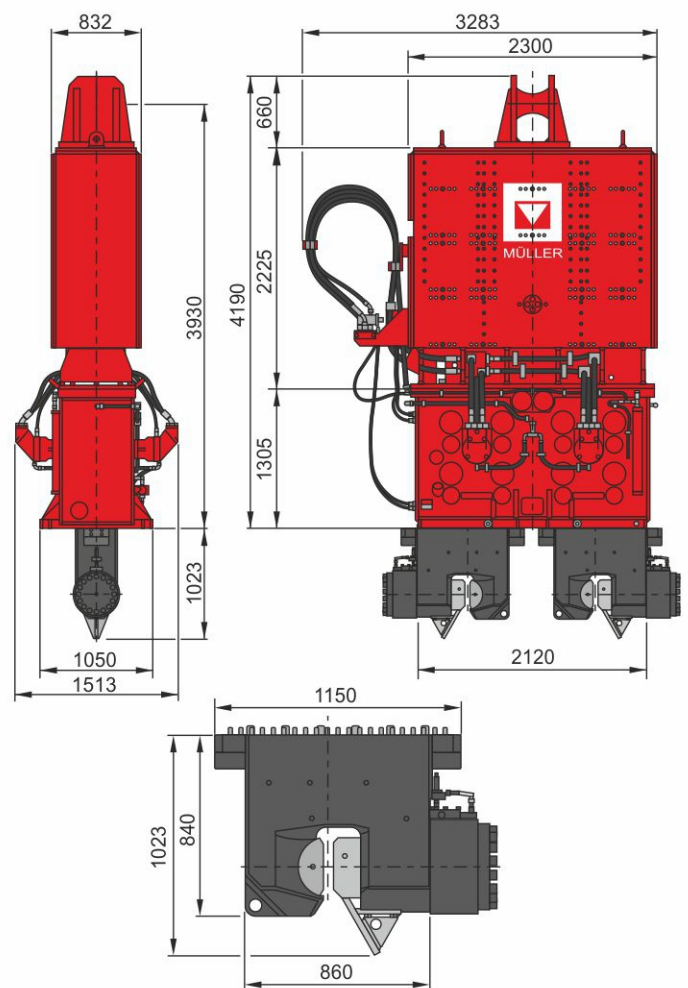
The **Müller MS-240 HHF** vibrator has a stepped setting of the eccentric, static moment (kgm), which makes it absolutely universal, ideally suited for operation in changing geological conditions.

Müller MS-240 HHF (Vibration machine)	
Centrifugal Force Max.	5160 kN
Eccentric Moment Max.	240 kgm
Steps of the eccentric Moment	151 / 193 / 218 / 240 kgm
Oscillation frequency	29,5 / 26 / 24,5 / 23,4 Hz
Steps of the number of revolutions	1770 / 1560 / 1470 / 1400 revolutions / minute
Thrust Force Max.	1200 kN
Total Weight W/O Clamp	19800 kg
Dynamic weight W/O Clamp	12010 kg
Amplitude Max.	40 mm
Power Max.	1032 kW
Consumption Max.	1770 L / minute
Working Pressure Max.	350 bar

MS-U 250 G (Hydraulic clamp for pipe)	
Pipe diameter	от 1000 до 2500 mm
Clamping Force Max.	2500 kN x 2
Weight	2450 kg x 2
Working Pressure Max.	350 bar

MS-A 1150V (Diesel-hydraulic power pack)	
Engine Model	Volvo-Penta TAD 1643 VE
Working fluid flow	2 x 565 = 1130 kW / 1536 hp
Working Pressure	6 x 350 = 2100 L / minute
Fuel tank capacity Max.	380 bar
Hydraulic tank capacity Max.	2200 L
Total weight (taking into account hydraulic oil)	600 L
	13800 kg

The static moment can be changed step by step from **151 kgm to 240 kgm!** At the same time, the vibrator is reconfigured with a different vibration amplitude and frequency at the same centrifugal force, which is extremely important in different geological conditions when extracting and driving piles in soils of any complexity!





АРЕЛ ПАНОВ

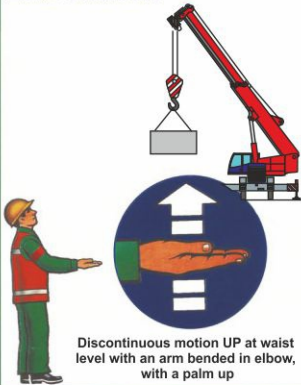
927-89-00

LIEBHERR
LA 1300i SX
OFFICIAL SERVICE
927-89-00
929-99-97

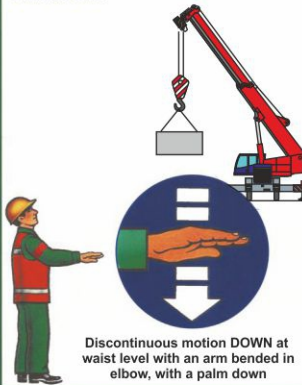
MOLLER
100-240 10HP

HAND SIGNALLING

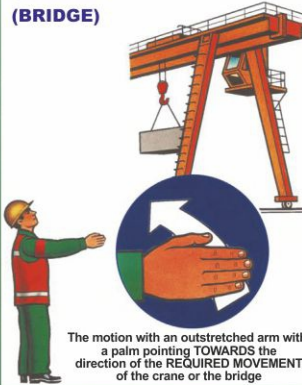
TO LIFT THE LOAD OR HOOK



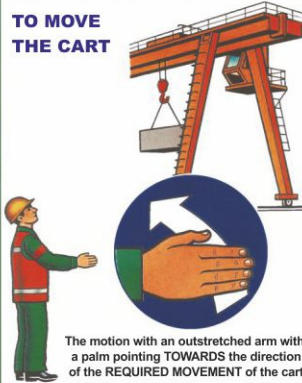
TO LOWER THE LOAD OR HOOK



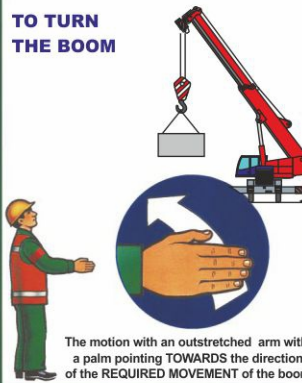
TO MOVE THE CRANE (BRIDGE)



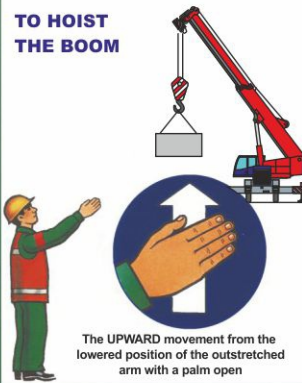
TO MOVE THE CART



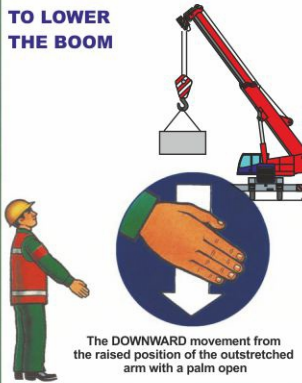
TO TURN THE BOOM



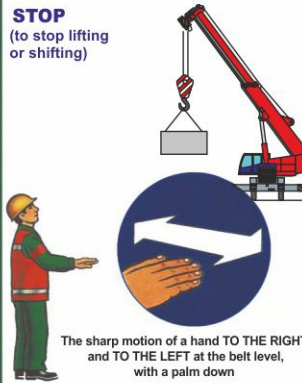
TO HOIST THE BOOM



TO LOWER THE BOOM



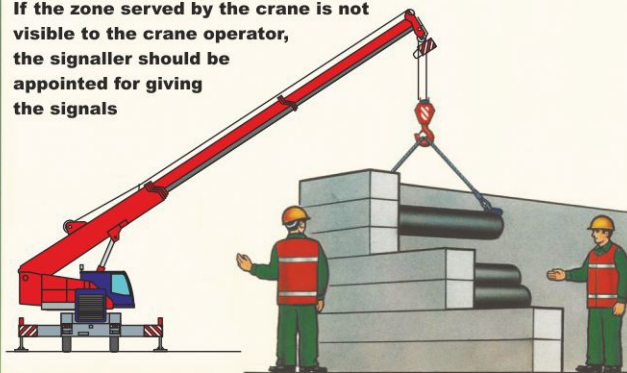
STOP (to stop lifting or shifting)



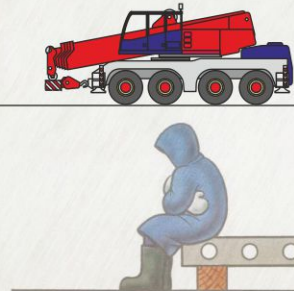
CAREFULLY (applied before giving any signal if small shift is required)



If the zone served by the crane is not visible to the crane operator, the signaller should be appointed for giving the signals



Stop working when there is a strong wind, thunder-storm, rain, fog, snowfall, etc.



IT IS FORBIDDEN TO LIFT THE LOAD:

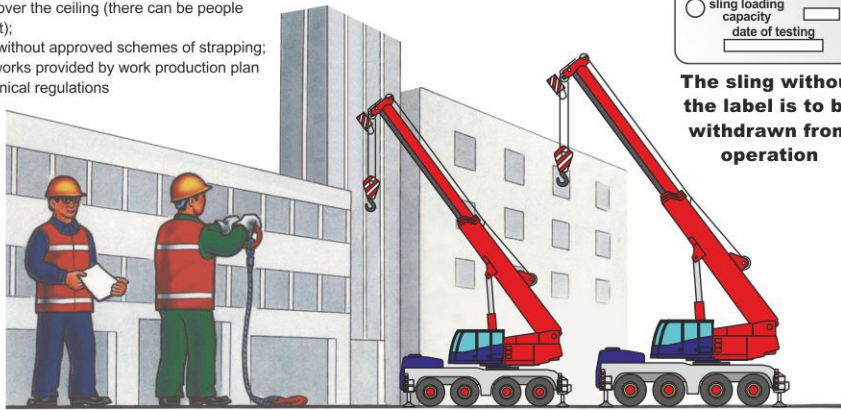
- when the weight is unknown or exceeds the crane loading capacity.
- strapped incorrectly
- being in unstable situation
- by dragging
- with the inclined position of cargo ropes
- with defective load gripping tools or mounting loops
- frozen to the earth
- filled up with other loads



SELECTION OF SLINGS

Slings and the crane operator are obliged to receive a task from a person responsible for safe carrying out the crane works. The responsible person is obliged to direct:

- loading and unloading from gondola cars;
- shifting the load with several cranes;
- works near the power lines;
- works over the ceiling (there can be people under it);
- works without approved schemes of strapping;
- other works provided by work production plan or technical regulations



MARKING LABEL OF THE SLING:

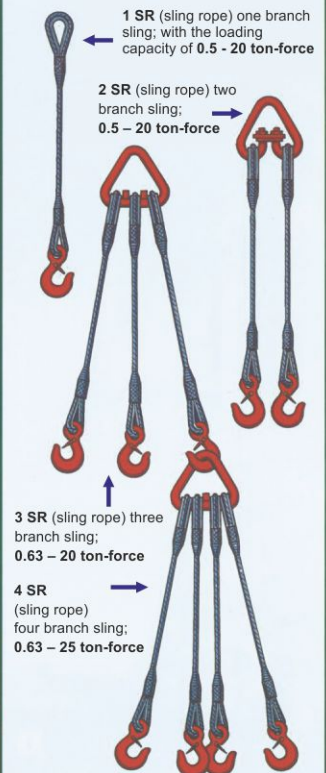
Manufacturer	

sling No. _____	
○ sling loading capacity	_____
_____	date of testing
_____	_____

The sling without the label is to be withdrawn from operation

TYPES AND IDENTIFICATION MARKING OF SLINGS

Branch slings SR (sling rope):



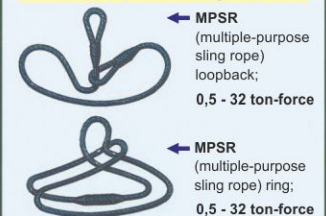
1 SR (sling rope) one branch sling; with the loading capacity of 0.5 - 20 ton-force

2 SR (sling rope) two branch sling; 0.5 - 20 ton-force

3 SR (sling rope) three branch sling; 0.63 - 20 ton-force

4 SR (sling rope) four branch sling; 0.63 - 25 ton-force

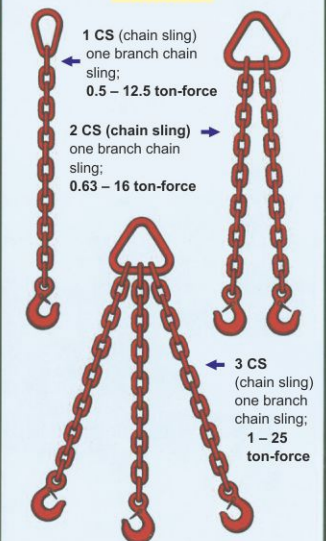
Multi-purpose sling ropes:



MPSR (multiple-purpose sling rope) loopback; 0,5 - 32 ton-force

MPSR (multiple-purpose sling rope) ring; 0,5 - 32 ton-force

Chain:



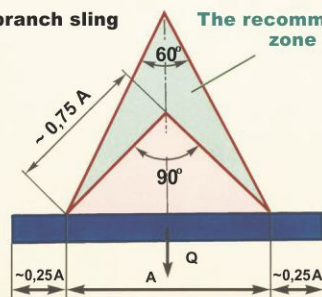
1 CS (chain sling) one branch chain sling; 0.5 - 12.5 ton-force

2 CS (chain sling) one branch chain sling; 0.63 - 16 ton-force

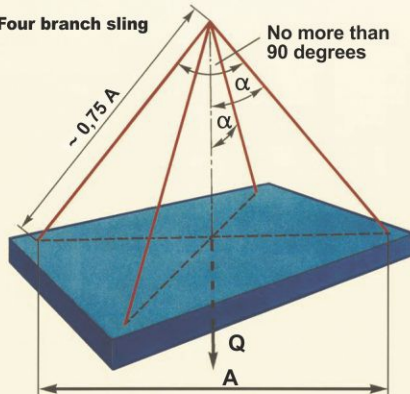
3 CS (chain sling) one branch chain sling; 1 - 25 ton-force

GEOMETRIC RATIOS WHEN STRAPPING THE LOAD

Two branch sling The recommended zone



Four branch sling No more than 90 degrees

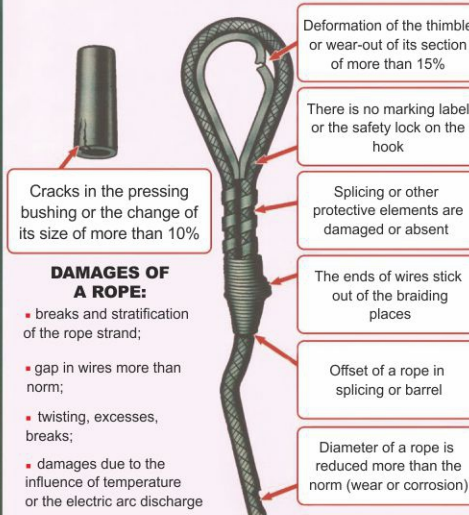


With the weight of the load of Q (tons) a tension S (ton-force) of each branch of the sling is equal:

$$S = \frac{Q}{n \times \cos \alpha}$$

Where n is a number of branches of multi branch sling (without the guarantee of the even distribution of loadings between strengthening branches in three and four branch slings, the tension is defined from a condition that the load is kept only by two branches) alpha - the sling branch inclination angle to a vertical, degrees.

IT IS FORBIDDEN TO USE SLINGS WITH THE FOLLOWING DEFECTS:



- Deformation of the thimble or wear-out of its section of more than 15%
- There is no marking label or the safety lock on the hook
- Cracks in the pressing bushing or the change of its size of more than 10%
- Splicing or other protective elements are damaged or absent
- The ends of wires stick out of the braiding places
- Offset of a rope in splicing or barrel
- Diameter of a rope is reduced more than the norm (wear or corrosion)

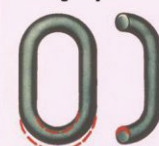
DAMAGES OF A ROPE:

- breaks and stratification of the rope strand;
- gap in wires more than norm;
- twisting, excesses, breaks;
- damages due to the influence of temperature or the electric arc discharge

The rope sling of double twist is to be withdrawn, if the number of visible breaks of the rope wires with a diameter of d exceeds:

Длина участка	3 d	6 d	30 d
Число обрывов	4	6	16

Limit rates of the chain slings rejection:



- link length increased more than 3% of the initial;
- reduction of the diameter of the link section of more than 10%;

Limit rates of rejection of hooks, loops, rings:



- wear of the surface (the dents reducing the square of the lateral section by 10% and more);
- cracks and anguishes on a surface;
- the residual deformations reducing the initial size of an element more than by 5%.

THE RULES OF TRUCK CRANE INSTALLATION

NOT LESS THAN 1 M

At any position, the distance between rotary part of the crane and structures, stacks of loads, designs, etc. should not less than 1 m. **It is FORBIDDEN to stay in this zone.**

In night-time the working place has to be lightened

PLATFORM INCLINATION ← **NOT MORE THAN SPECIFIED IN THE CRANE PASSPORT** →

THE WORKS ARE FORBIDDEN

- strong wind
- thunder-storm
- heavy rain
- fog
- snowfall
- visibility deterioration
- air temperature below specified in the passport
- failure of the crane or load gripping tools

Work only with the serviceable safety lock

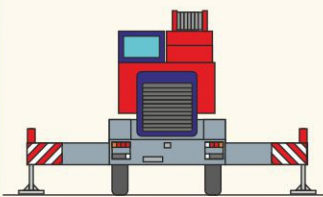
Don't lower the load, if there are people in a body or cabin

It is forbidden to move the boom over a car cabin

PROTECT THE WORK SITE

STOP
THE PASS IS FORBIDDEN

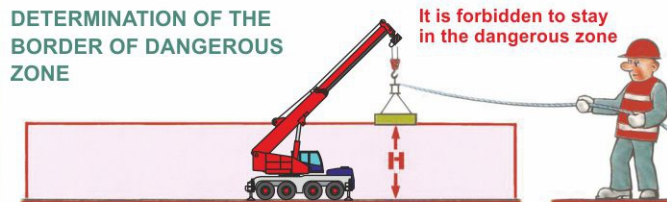
It is forbidden to work without installation of all the portable bearing parts



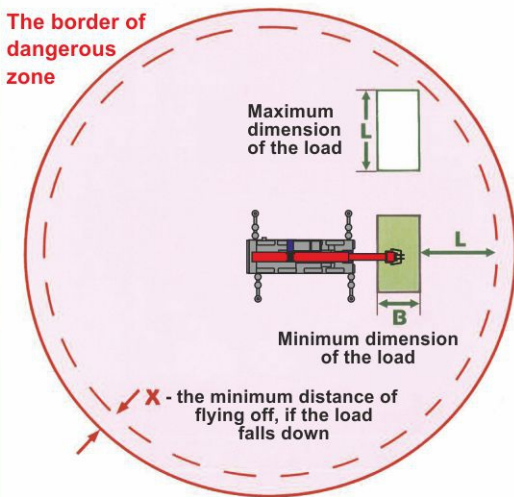
On the time of installation of portable bearing parts, the operator has to leave a cabin



DETERMINATION OF THE BORDER OF DANGEROUS ZONE



The border of dangerous zone



H. M	X. M
up to 10	4
up to 20	7
up to 70	10
up to 120	15
up to 200	20
up to 300	25
up to 450	30

IT IS FORBIDDEN TO LIFT THE LOAD

strapped incorrectly

being in unstable position

suspended for one horn of a two-horned hook

weighing more than the loading capacity of the crane at the current operating radius, or when weight is unknown.





THE RULES OF TRUCK CRANE INSTALLATION

WORKS NEAR POWER TRANSMISSION LINES

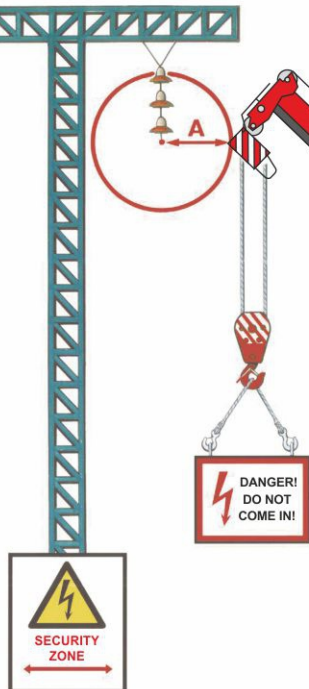
ADMISSIBLE DISTANCES **A** (meters) TO THE CURRENT-CARRYING PARTS UNDER VOLTAGE

Voltage, kV	to 1	1 up to 20	20 up to 35	35 up to 110	110 up to 220	220 up to 400	400 up to 750	750 up to 1150
minimum, measured by technical means	1,5	2	2	4	5	7	10	11

A - the distance from the current-carrying element of power lines, closer which is forbidden an arrangement of a metalwork of the crane, cargo ropes and load

B - the distance to the border of security zone of the power line

Voltage kV	B, M
1	2
1 up to 20	10
20 up to 35	15
35 up to 110	20
110 up to 220	25
220 up to 500	30
500 up to 750	40
750 up to 1150	55



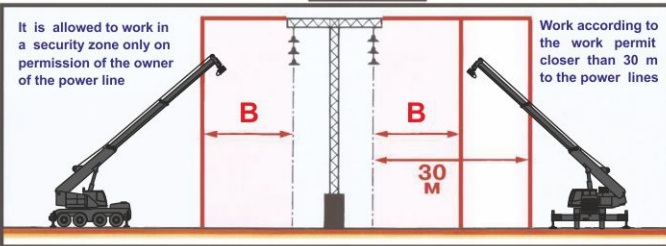
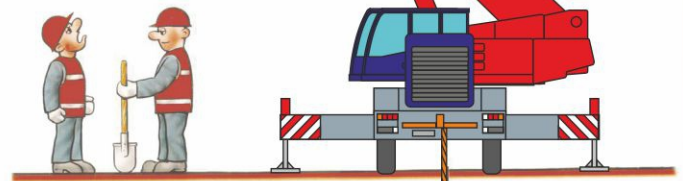
IF THE CRANE TURNED OUT TO BE UNDER THE VOLTAGE

- break off the arisen contact piece as soon as possible
- shift the boom away from the contacting part on the safe distance **A**
- warn the people around about the danger

BEFORE REMOVING THE VOLTAGE IS FORBIDDEN

- to touch the crane
- to go down or jump out of the cabin

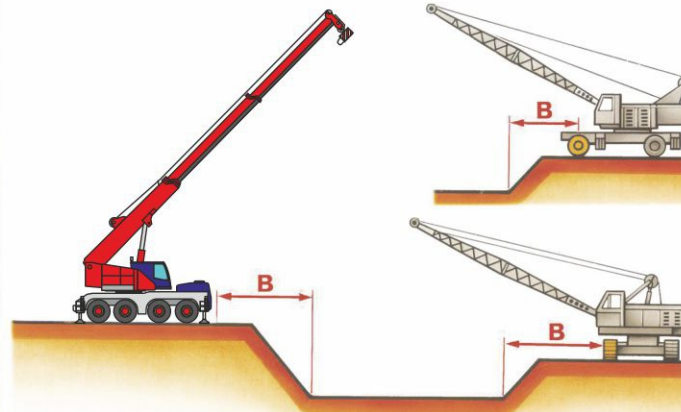
DO NOT STAND UNDER THE BOOM! WORK!



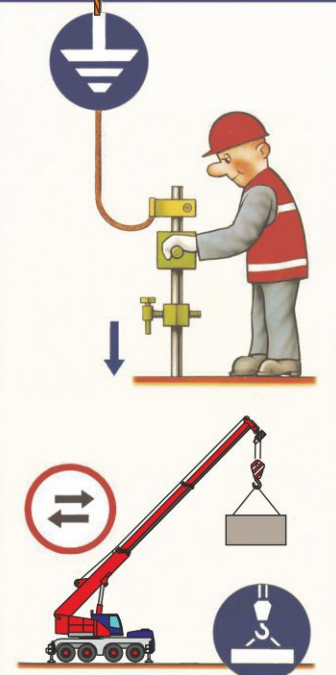
IT IS FORBIDDEN TO LIFT THE LOAD

- by dragging on the ground, floor or rails at the inclined position of ropes
- covered with the earth, frozen, laid with other loads, filled in with concrete
- with the people standing on it
- in the container filled above the boards

WORK NEAR THE SLOPES OF TRENCHES AND DITCHES

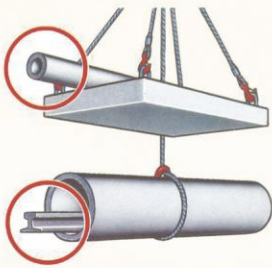


Not backfill soil	Safe distance B(m) with the ditch depth (m)				
	1	2	3	4	5
Sand, gravel	1,5	3	4	5	6
Sandy loam	1,25	2,4	3,6	4,4	5,3
Loam	1	2	3,25	4	4,75
Clay	1	1,5	1,75	3	3,5
dry loess	1	2	2,5	3	3,5

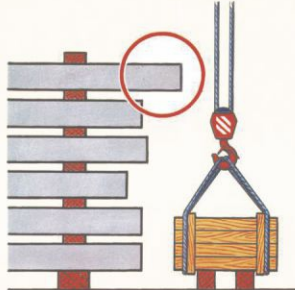


LIFTING AND SHIFTING THE LOADS

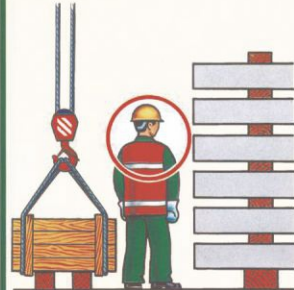
BEFORE GIVING TO THE CRANE OPERATOR A SIGNAL OF LIFTING THE LOAD, MAKE SURE ABOUT THE FOLLOWING:



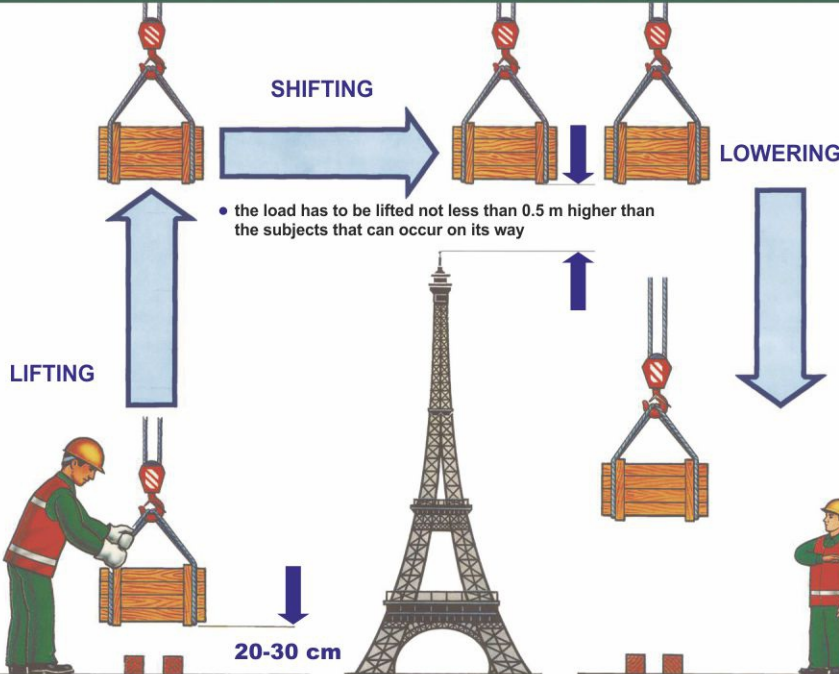
There is no ice, garbage, tools, loose subjects above the load (inside of pipes)



The load won't touch anything when hoisted



There are no people between the load and walls, columns, designs, machines, stacks, etc.



• the load has to be lifted not less than 0.5 m higher than the subjects that can occur on its way

- after lifting the load on the height of 20-30 cm, make sure it doesn't lower spontaneously;
- check if the strapping is correct and cargo ropes are in vertical position;

- make sure there are no people standing under the load;
- the cargo must always be within sight of the slinger and crane operator;

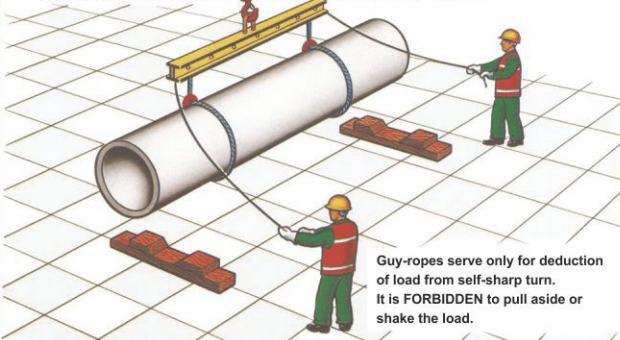
- the load should go down exactly to the designated, pre-prepared storage place;

If the load lowers spontaneously:

- give a signal of immediate lowering of the hook;
- release the hook;
- do not continue working before elimination of a braking fault of the crane.



WHEN SHIFTING THE LENGTHY LOADS, USE SPECIAL GUY-ROPES



Guy-ropes serve only for deduction of load from self-sharp turn. It is FORBIDDEN to pull aside or shake the load.

WATCH THE FENCING OF THE WORKING SITE



DO NOT STAND UNDER THE LOAD!



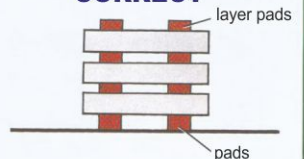
It is allowed to come closer to the lowered (hoisted) load only when the distance between the load and the ground level is less than 1 m.

When warehousing, it is FORBIDDEN to lean the loads to the walls of buildings, fences, etc.

INCORRECT



CORRECT





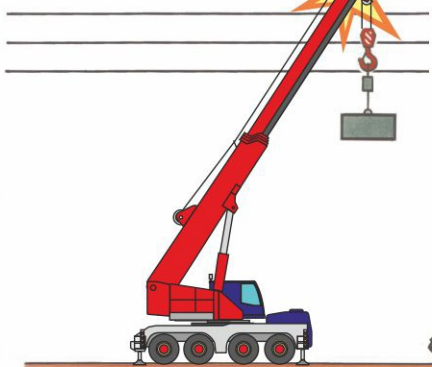
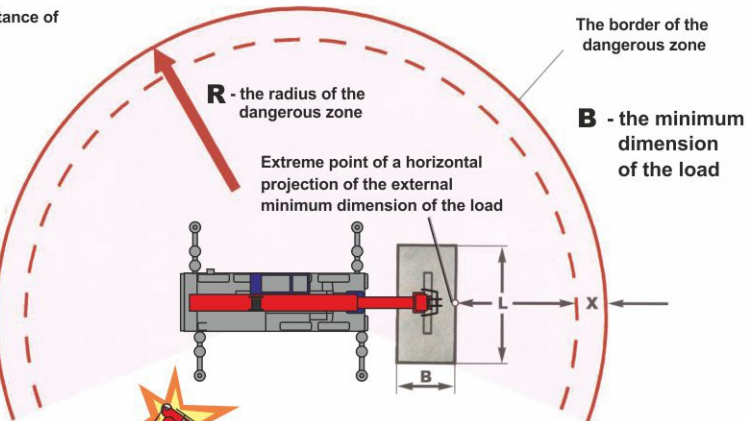
THE DANGEROUS ZONE DURING THE OPERATION OF THE CRANE

It is **FORBIDDEN** to stay in the dangerous zone!



X - the minimum distance of load flying off, if it falls down

L - the maximum dimension of the load



H, m	up to 10	up to 20	up to 70	up to 120	up to 200	up to 300	up to 450
X, m	4	7	10	15	20	25	30

If the metal construction of the crane turned out to be under voltage, it is **FORBIDDEN**

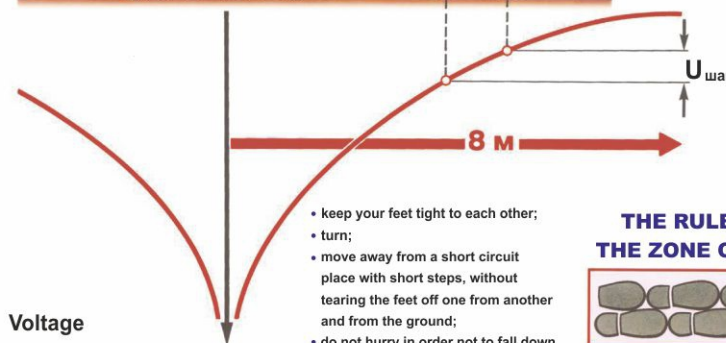
PROHIBITED:

- to touch the car
- to be run or go with a wide step

"Step voltage" U_{step} arises at absence or failure of transferable grounding when the boom of the crane or load contacts the power line.

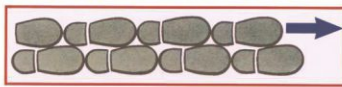
The wider the step is, the stronger the influence of step voltage is.

The radius of coverage area of step voltage reaches 8 meters

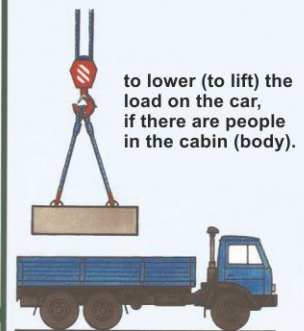
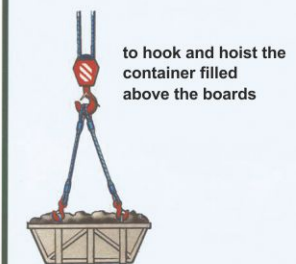
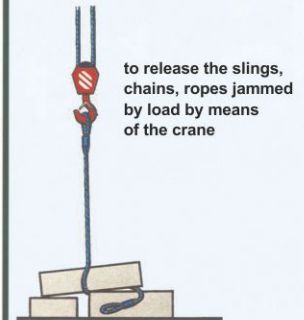
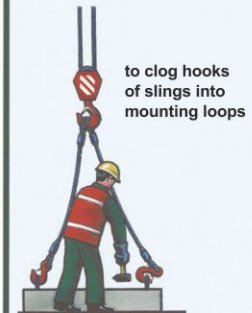
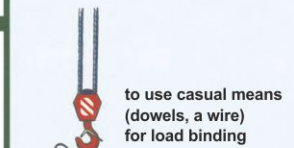


- keep your feet tight to each other;
- turn;
- move away from a short circuit place with short steps, without tearing the feet off one from another and from the ground;
- do not hurry in order not to fall down

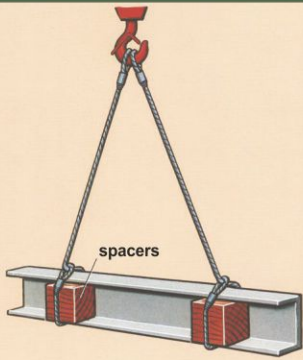
THE RULES OF LEAVING THE ZONE OF STEP VOLTAGE



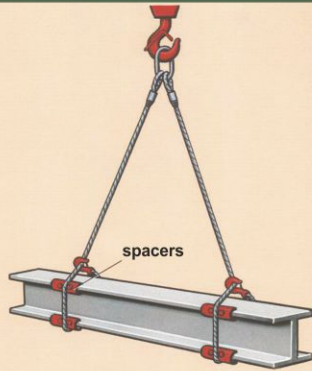
It is forbidden:



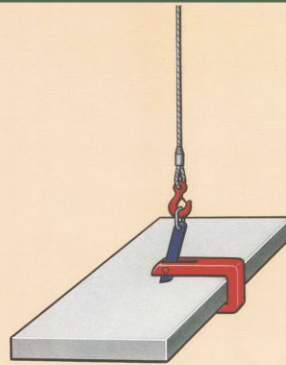
METAL ROLLING



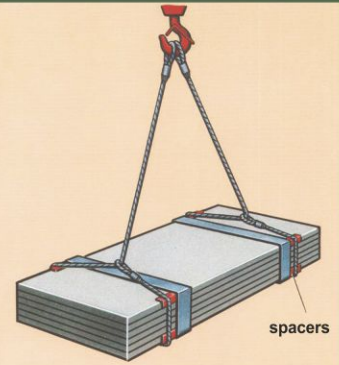
Channel.
Two multiple-purpose loopback slings – in grasp.



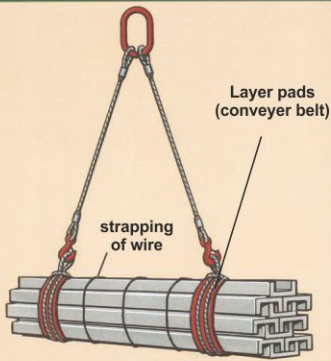
H-beam.
Two branch sling – in a grasp.



A sheet in horizontal position.
Branch sling with special capture.

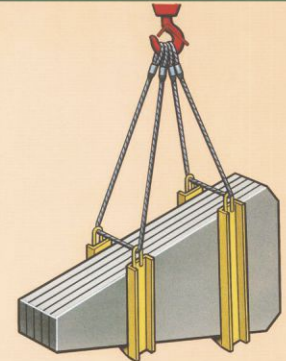
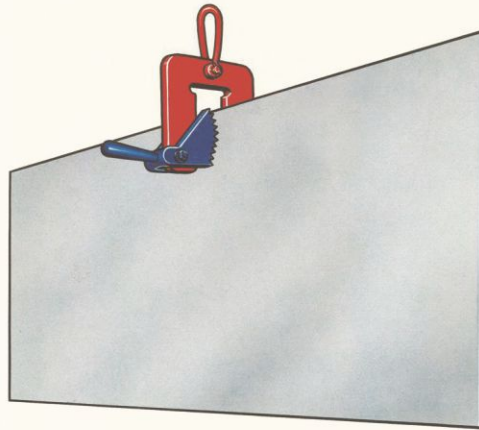


Package of sheets in horizontal position.
Two multiple-purpose loopback slings – in grasp.

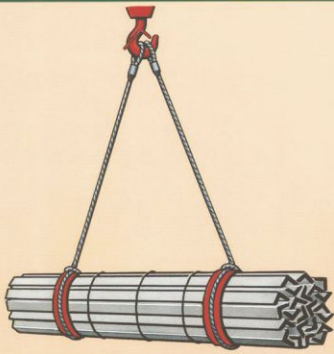


Linking the channels.
Two multi-purpose ring and two branch slings – in grasp.

METAL SHEET IN VERTICAL POSITION

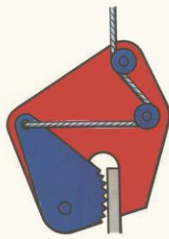


Package of sheets in vertical position.
Two multi-purpose loopback slings of different length; special captures

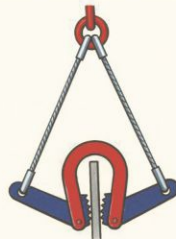


Linking the corners.
Two multiple-purpose loopback slings – in grasp

ECCENTRIC CAPTURES



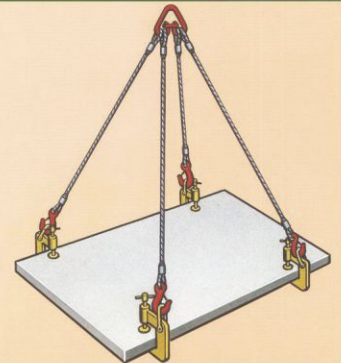
with one eccentric clamped with the tightened rope



with bilateral arrangement of eccentric

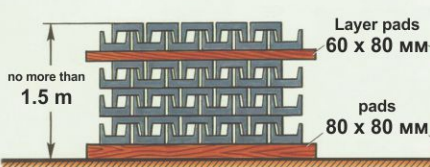


for strapping the sheets in horizontal position

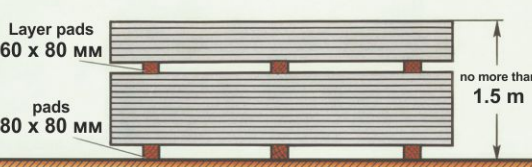


Package or sheets in horizontal position.
Four branch sling with clamps

CHANNEL, H-BEAMS



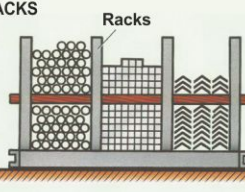
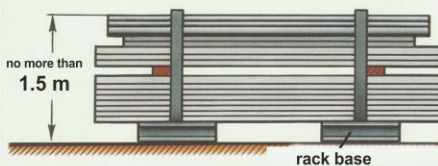
METAL SHEET



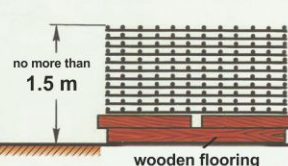
Stack with the width which is less its height isn't allowed.

Leave passes not less than 1 m between the stacks.

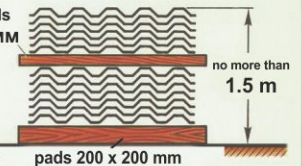
LIGHT-SECTION METAL IN RACKS



REINFORCING GRID



PROFILED SHEET

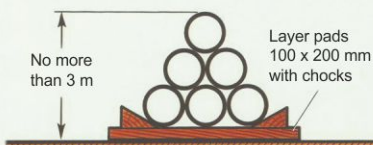




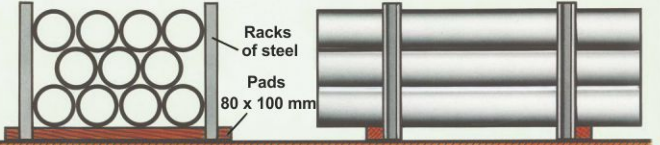
PIPES, SHAFTS

<p>For pipes up to 1.5 m long</p> <p>Multi-purpose loopback or ring stranglehold sling, with one knot on the center of gravity</p>	<p>Two multi-purpose ring slings - winding</p>	<p>Multi-purpose ring sling - a two-trailer stranglehold.</p>	<p>Two multi-purpose ring slings - double strangleholds.</p>
<p>spacers</p> <p>Two multi-purpose ring slings - coverage of shaped protrusions preventing sling run away.</p>	<p style="text-align: center;">PACKAGE OF TUBES</p> <p style="text-align: center;">traverse with slings with hooks</p>		<p>Tick-borne capture</p>
<p>Two branches of a sling with face captures.</p>			<p>Traverse with textile slings.</p>

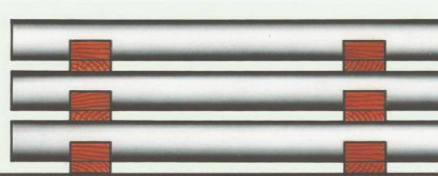
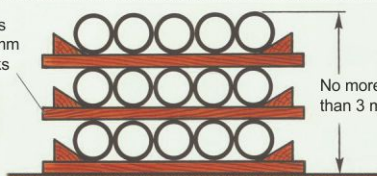
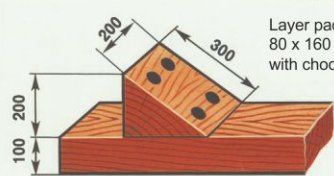
FOLDING THE STEEL PIPES WITH THE DIAMETER MORE THAN \varnothing 300 mm IN "PYRAMID"



WAREHOUSING OF FIBROCEMENT PIPES IN THE STACK WITHOUT LAYER PADS



WAREHOUSING THE STEEL TUBES WITH A DIAMETER UP TO \varnothing 300 mm IN THE STACK WITH LAYER PADS.



Pads and layer pads in different circles have to settle down precisely one under another



APPLICATION № _____ dated « ____ » _____ 202__ г.
rental services for aerial platform / crane (further in the application - «Machinery») with the driver

We ask you to provide Machinery for the following services (carrying out the following works):

Date and time of delivery of Machinery:	
Delivery address of the Equipment	
Quantity of shifts (operating mode):	
Type of Equipment: Aerial platform 45; 50; 51 m / Crane 25; 32; 35; 50; 70; 80; 90; 100; 130; 160; 180; 200; 220; 250; 300; 350; 400; 500 t.	
The type of the work: (loading and unloading, mounting), maximum weight, radius, lifting height:	
Additional information:	Technological cards / PPR PS _____ (yes / no) Existing of power lines in the work area: _____ (yes / no) Supervisor at the facility: Last name first name manager _____ telephone _____ Slings _____ Last name first name patronymic _____ _____ Last name first name patronymic _____

We are familiar with the terms of service of Machinery, we guarantee payment.

The agreed cost of mobilization / demobilization of equipment is _____ rubles including VAT.
Agreed cost (8; 10; 16; 22) _____ hour shift is _____ rubles including VAT.
The agreed cost of 1 (one) hour of overtime is _____ rubles including VAT.

Customer:

Name of the organization: _____

Legal address: _____

INN/KPP: _____ equipment rental agreement № ____ dated « ____ » _____ 202__ г.

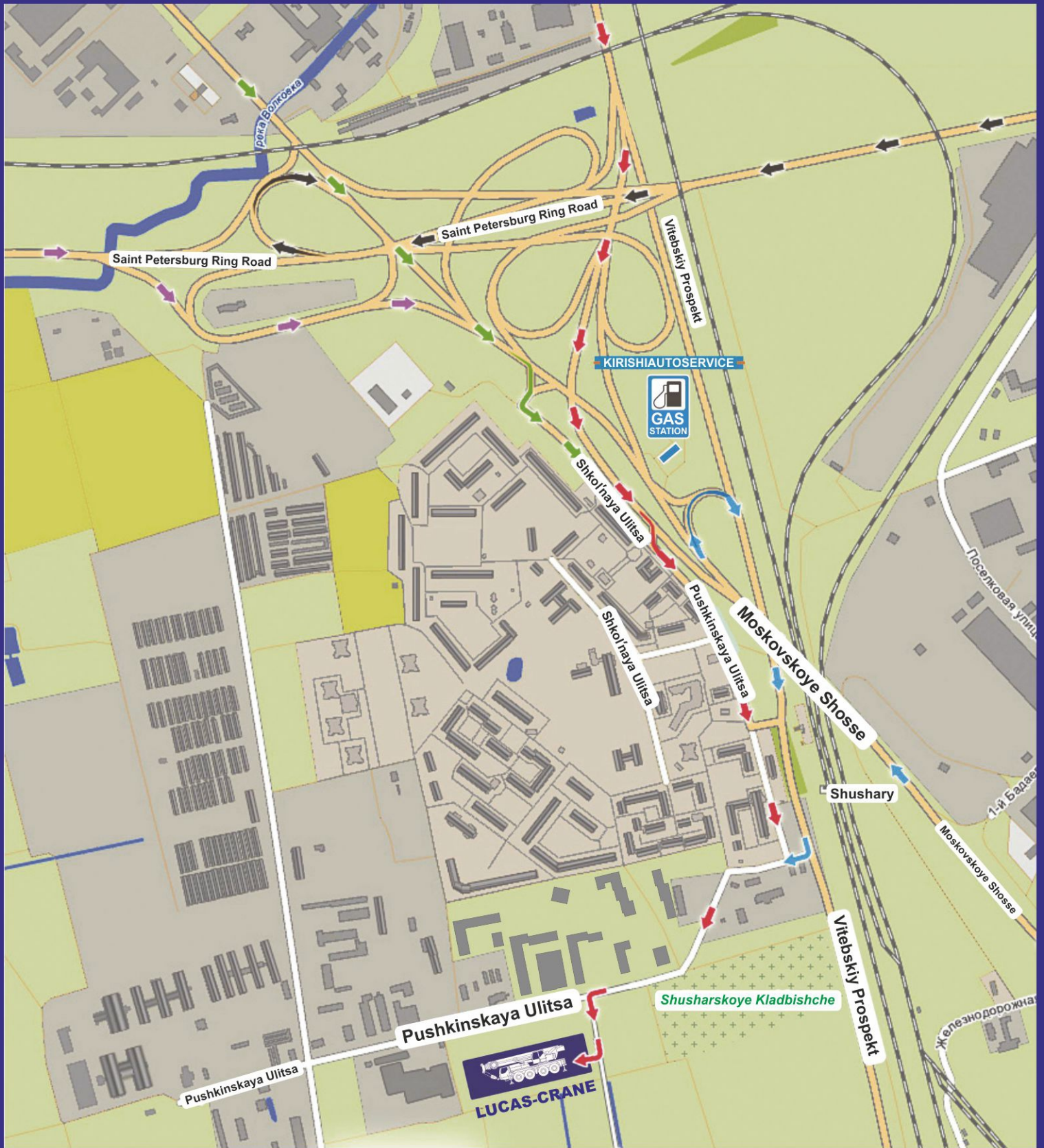
Contact person:

_____ Last name first name patronymic _____ telephone _____ E-mail _____

_____ / _____ / _____
Post Signature Rubber stamp Decryption of Signature

Executor:

«LUCAS-CRANE» LLC _____ / _____ / _____
I confirm the application Post Signature Rubber stamp Decryption of Signature



CONTACTS IN ST. PETERSBURG Office and vehicle fleet address:

St. Petersburg, Shushary,
st. Pushkinskaya 25 building 2
GPS: 59 ° 48`04 "N (N); 30 ° 22`57" E (E)

Email: info@luckas.ru
Phone: +7 (812) 309-70-07



**LUKAS-KRAN HAS BEEN PROVIDING RENTAL SERVICES
FOR MOBILE CRANES, CRAWLER CRANES, TRAWLS,
AERIAL WORK PLATFORMS, SPECIAL MACHINERY,
HYDRAULIC HAMMERS & VIBRATORS**

+7 (911) 927-89-00, +7 (911) 929-99-97

www.lucas-crane.com

